

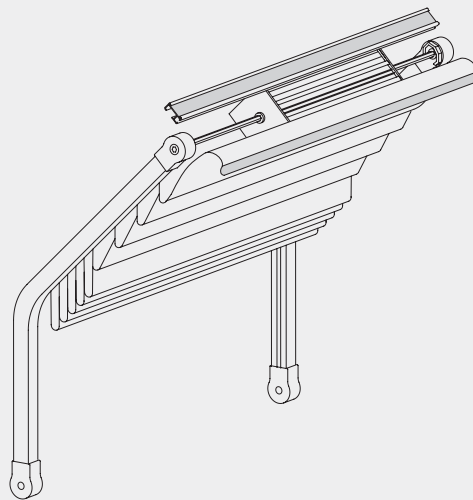
Skylight Shading Systems





Motorised Wintergarden System

Silent Gliss® 2195



Product Information

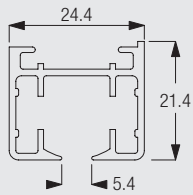
- Electrically operated system for domestic or contract use
- Pleasing Roman blind effect with Silent Gliss technical or decorative fabrics or customers' own material
- Blinds can be single, double or triple operation from one motor to correspond to window bays
- Horizontal, sloping, bent and arched applications
- Can be operated via fixed switch or radio remote control
- Side guide profile standard colours: silver, white, bronze, gold and black
- Can be operated by fixed switch or combined with Radio Remote Control System Silent Gliss 9940/0450



2195

Profile, Bending and Specification Information

Side Guide Profile

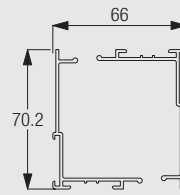


2191



Min. radius 200 mm

Profile 2151 for motor cover



2151



Cannot be bent

Specification Information - download from www.silentgliss.co.uk (password required).

2195 electrically operated Wintergarden system ready assembled with motor enclosed headbox 2151 complete with drive shafts, side guide channels and cross rods for blinds. Side guide channels to be fixed at 80-100cm centres and headbox to be fixed with 3004 clamps. off.....wide x drop (girth) guide channels, side channels each benttimes with cross rods atcm intervals.

System Dimensions



3m (single)
6m (double)
6m (triple)



6m (all systems)



25kg (all systems)



18sqm (single)
30sqm (double)
36sqm (triple)

Maximum size and weight chart

2195		kg max.	A	B	2195		kg max.	A	B
		18	3 m	6 m			18	3 m	6 m
		18	6 m	6 m			18	6 m	6 m
		18	6 m	5 m			18	6 m	6 m
		25	3 m	6 m			18	3 m	6 m
		25	6 m	6 m			18	6 m	5 m
		25	6 m	6 m			18	6 m	5 m
		25	3 m	6 m			10	3 m	4 m
		25	6 m	6 m			10	6 m	4 m
		25	6 m	6 m			10	6 m	3 m

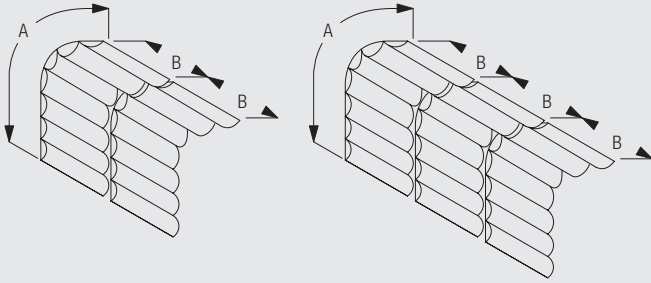
Sloped versions: max. inclination 45°

The system dimensions depend on the number of connected systems, the application and the total fabric weight (including cross bars: 2579 - 0.146kg per m, 2248 - 0.32kg per m). Systems over 2.5m must use 2248 heavy duty cross rod. In double or treble systems where one of the systems is over 2.5m, then all covers must use 2248 cross rod.

When a full arch the system must be centre opening.

System Options

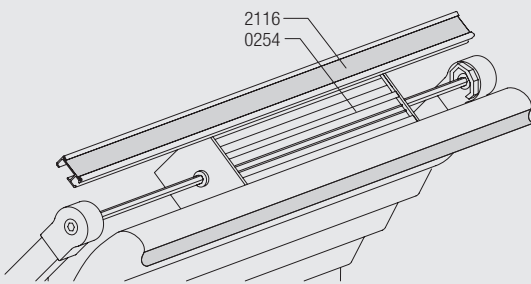
Connected systems



Maximum of three bays can be connected to one system. The maximum system sizes are indicated in the chart under system dimensions.

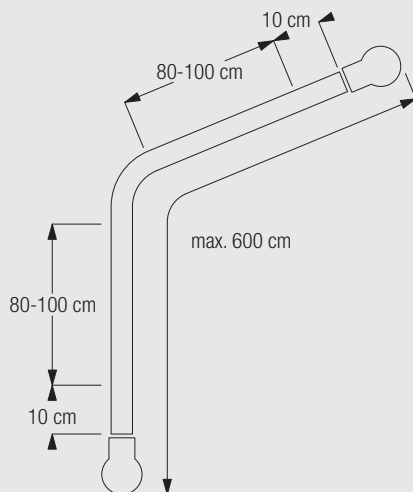
Please note that the sections can be asymmetric but a bay can never exceed a total width of 3m.

Motor cassette 2151 and Velcro profile 2116



Fitting Information

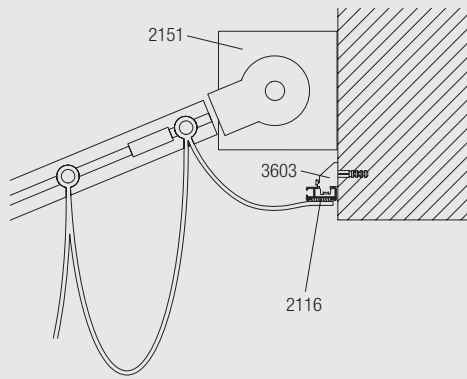
Bracket positioning



2195

Please fix the last bracket as close as possible (max. 10cm) to the guide return.

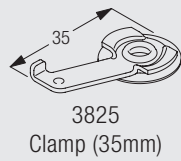
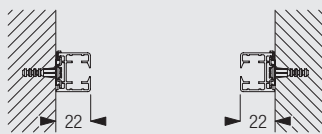
Fixing the end of the fabric



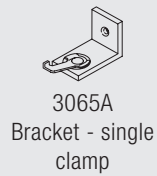
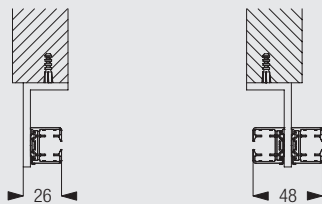
Fixing of fabric to Velcro profile 2116

Fitting Options

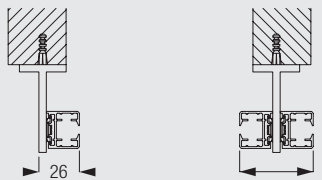
Inside reveal fix with clamp 3825



Outside reveal fix with clamp 3065a



Outside reveal fix with clamp 3066a

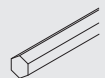


Standard Accessories

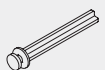
2116 Velcro profile



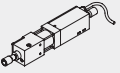
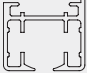
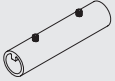
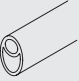
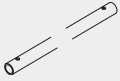

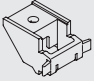

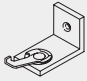


2111 Hexagonal bar



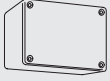
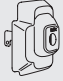
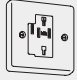


2145 Glider

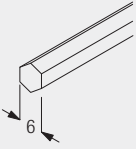
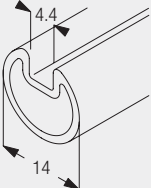


2151	Profile		2156	Drive shaft	
2160	Motor		2191	Profile	
2242	Connector		2248	Heavy duty cross rod	
2759	Crossrod		3004	Clamp	
3603	Top fix bracket		3825	Clamp (35mm)	
3065A	Bracket - single clamp				

Optional Accessories

0578	Pattress box		0615	Latching switch inc. pattress box	
5736	Relay socket		5741	Klik plug	
5742	Klik socket				

Useful Measurements

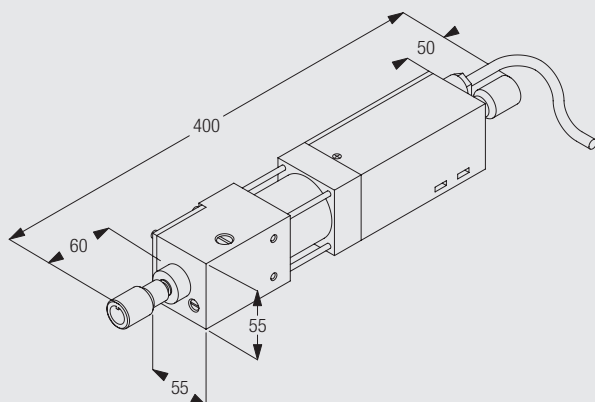
2111	Hexagonal bar		2156	Drive shaft	
------	---------------	-------------------------------------------------------------------------------------	------	-------------	---------------------------------------------------------------------------------------



2195

Motors and Controls

Motor Silent Gliss 2160 - Single Bay



- Torque: 6Nm
- Voltage: 230V/115V
- Frequency: 50Hz/60Hz
- Power: 150W/145W
- Current: 0.7A/1.4A
- Speed: 23rpm/26rpm
- Thermal overload protection
- CEE Standard
- Mechanical end stop
- Weight: 2kg

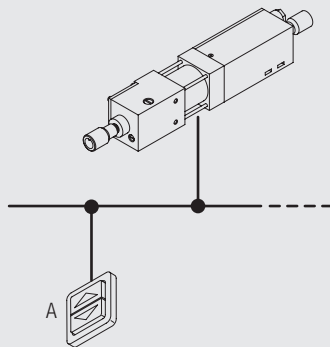
Motor Silent Gliss 2160 - Multiple Bays

- Note: Drawing as per 2160 above except that overall length is 375mm (instead of 400mm)
- Torque: 10Nm
- Voltage: 230V
- Frequency: 50Hz
- Power: 120W
- Current: 0.53A
- Speed: 26rpm
- Thermal overload protection
- CEE Standard
- Mechanical end stop
- Weight: 1.8kg

The Silent Gliss 2160 motor is an interference-free motor, designed to offer top performance in regard to strength and reliability. The entire motor is integrated into the profile cover.

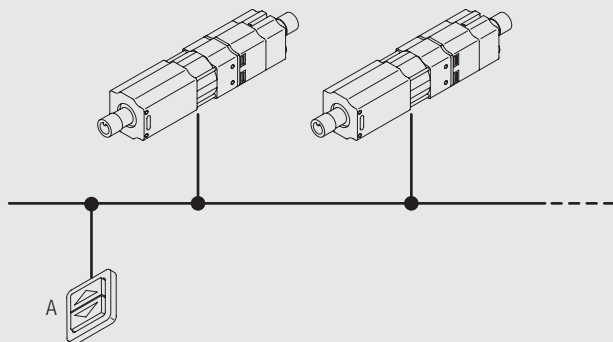
Operating Methods - Single and Multiple Bays

Operation via fixed switch (single system)



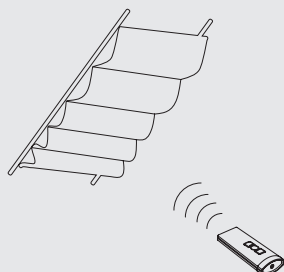
A: 230V/115V
All cabling between switch and motor is to be 3 core + earth

Operation via fixed switch (multiple systems)



A: 230V/115V
R: Relay
All cabling between switch and motor is to be 3 core + earth

Operation with radio controls systems 9940/0450



System can be combined with Radio Remote Control Systems Silent Gliss 9940/0450. For further details, please refer to catalogue section "Motors & Controls".

Wiring and Connections

Important: Wiring diagrams are available on the Silent Gliss website www.silentgliss.co.uk (password required). Please contact Silent Gliss for information on access.



2195



2195



2195

www.bradingfabrication.com

Brading Fabrication Limited
1885 Clements Road, Unit 228
Pickering, ON, Canada
L1W 3V4

Tel: 289-372-3014

info@bradingfabrication.com