

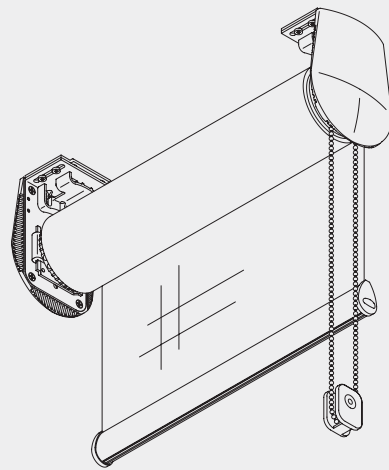
# Roller Blind Systems





## Chain Operated Roller Blind System

# Silent Gliss® 4840



### Product Information

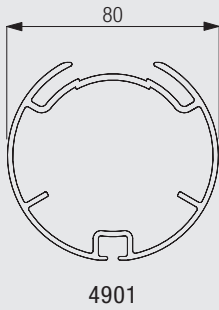
- Very heavy duty chain operated Roller blind system (right or left hand operation)
- Ideal for contract use
- With the Silent Gliss 4840, extremely large windows can be covered by one single chain-operated system
- The unique planetary gear with integrated brake ensures a smooth and light operation and the blind stops instantly with no slippage
- Patented Silent Gliss Quick Twist permits easy on-site adjustments of the headrail to eliminate rolling off caused by minor fabric problems
- Adjustable stainless steel bracket set: the vertical adjustment facility allows the fabric to be easily aligned with the window frame or the system with the ceiling on-site using a screwdriver only
- Pre-fitted hook-on stainless steel plates take the weight of the blind during final positioning of the brackets. These are each laterally adjustable by up to 18mm
- The blind is then conveniently fitted from below (especially important in a blind box situation)
- With the above refinements the fitting and fine-tuning of these substantial blinds is reduced to a minimum and perfect results are guaranteed
- Metal bead chain
- Automatic end stop
- Optional side-guide wires with easy fitting and tensioning
- Bracket covers for neater appearance outside recess



4840

## Profile and Specification Information

### Profile 4901 (80mm tube diameter)

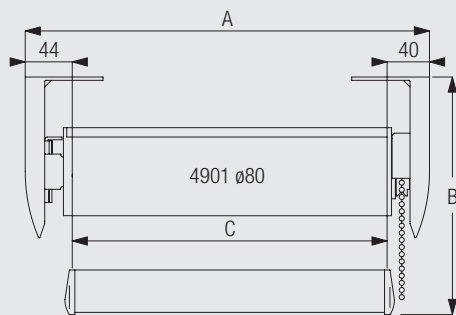


Specification Guide - download from [www.silentgliss.co.uk](http://www.silentgliss.co.uk) (password required).

Silent Gliss 4840 chain operated roller blind system for very heavy duty applications. Assembled complete with anodised aluminium headrail. Smooth light operation thanks to the planetary gear and no slippage due to the integrated brake. Incorporates Silent Gliss patented Quick Twist for easy on-site adjustment of the headrail to prevent fabric roll off. Fix to wall/ceiling/inside recess with stainless steel bracket combination set 4944 incorporating hook on plates to take weight of blind during installation. Optional bracket covers. Fabrics to be selected from Silent Gliss range.

## How to Measure

### Measurement information with profile 4901



A: system width  
B: system drop  
C: fabric width

Attention: when installing the blind without bracket covers left and right the total system width will be reduced by 30mm (2 x 15mm)

System measures are indicated with bracket covers. Please refer to Max. Surface Area Chart for exact total maximum measures of system.



4840

## System Dimensions



5m



50cm



6m


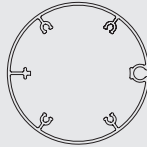


15sqm



12.5kg

## Maximum surface area chart

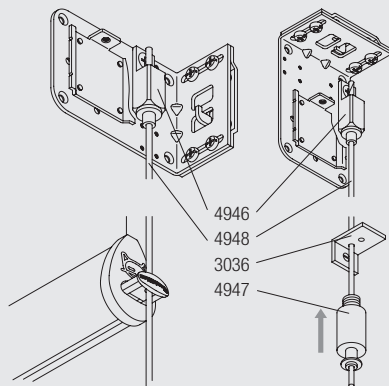
		A →							
		2 m	2.5 m	3 m	3.5 m	4 m	4.5 m	5 m	
B ↓	2 m	●	●	●	●	○	○	○	 ● 4901 (ø 80 mm)
	2.5 m	●	●	●	●	○	○	○	
	3 m	●	●	●	●	○	○	○	 ○ 4957 (ø 110 mm)
	3.5 m	●	●	●	●	○			
	4 m	●	●	●	●				
	4.5 m	●	●	●					
	5 m	●	●	●					
	5.5 m	●	●					max. 15 m <sup>2</sup>	
6 m	●	●							

Sizes over 3.95m are achieved using a larger barrel and CRANK operation. Please enquire at Silent Gliss for further information.

(A: Width / B: Height) The maximum surface always depends on available fabric widths and fabric weight.

## System Options

### Side guides for stabilising blind systems and sloped applications (up to 15° incline)

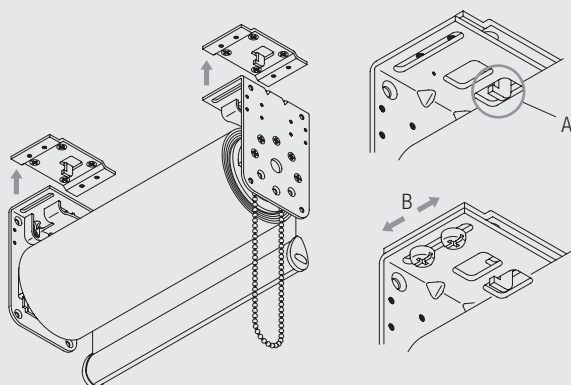


- 4946 Top fastener
- 4948 Wire rope (1.5mm)
- 3036 Bracket
- 4947 Bottom fastener

The bracket 3134 (with cover 3133) can be used as an alternative to 3036 for greater clearance.

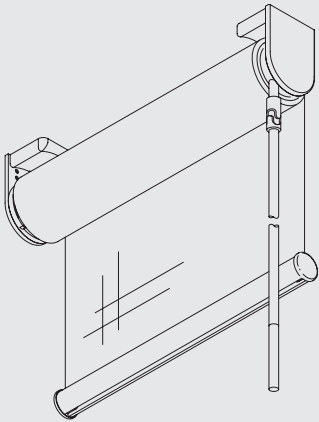


### Hook-in Installation Plates



Specially designed pre-fitted hook-in plates 4972 (A) take the weight of the blind whilst the fitters carry out final detailed positioning (B) of the brackets. The brackets can be sideways adjusted by up to 18mm. This unique feature is very well received by all fitters around the world.

## Crank operated blind



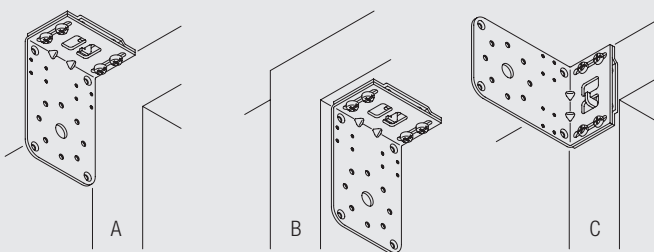
Systems over 3.95m wide are achieved using a larger barrel and crank operation. Please enquire at Silent Gliss for further information.

## Fitting Information

### WARNING

Young children can be strangled by loops in pullcords, chains, tapes and inner cords that operate the product. To avoid strangulation and entanglement, keep cords out of the reach of young children. Cords may become wrapped around a child's neck. Move beds, cots and furniture away from window covering cords. Do not tie cords together. Make sure cords do not twist to create a loop.

### Bracket positioning and basic fitting features

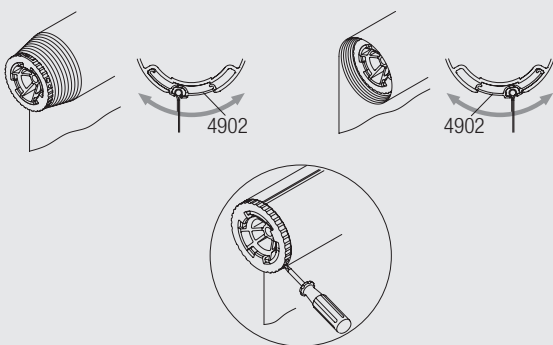


A: Ceiling fix  
B: Recess fix  
C: Wall fix



4840

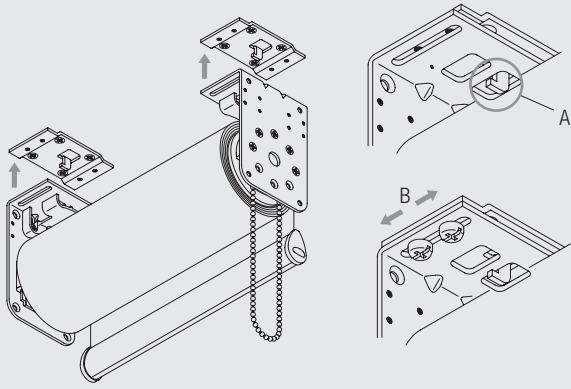
### Silent Gliss Quick Twist (patented)



Adjustment feature for minimising fabric roll off.

Patented Silent Gliss Quick Twist permits easy on-site adjustments of the headrail to minimise fabric roll off (only available on systems up to 4m width, using the 80mm tube 4901).

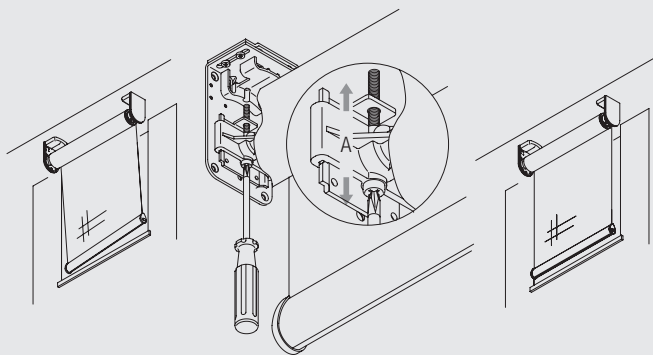
## Hook-in installation plates



The brackets can be laterally adjusted by up to 18mm.

Specially designed pre-fitted hook-in plates (A) take the weight of the blind during final positioning of the brackets (B).

## Adjustable stainless steel bracket set (for vertical adjustments)



Vertical adjustment of the system (A) allows the head tube to be levelled.

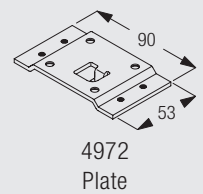
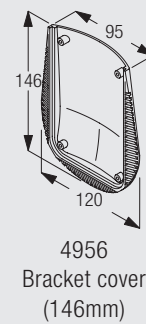
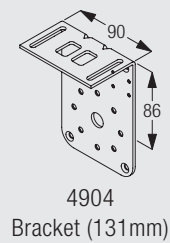
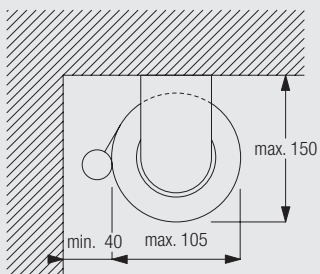
## Fitting Options

CAD download from [www.silentgliss.co.uk](http://www.silentgliss.co.uk) (password required).



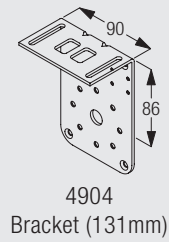
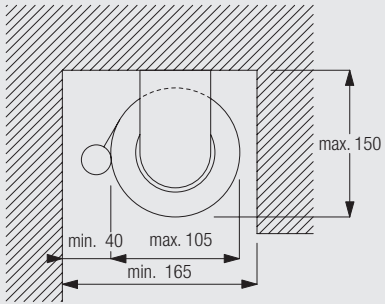
4840

### Ceiling fix



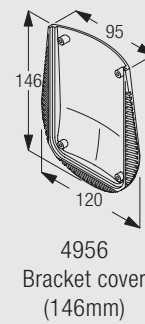
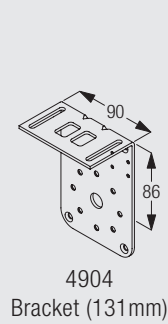
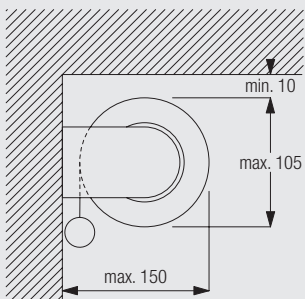
Please note: The above key fitting parts are part of bracket set 4949.

## Recess fix



Please note: the above key fitting parts are part of bracket set 4949.

## Wall fix



4966  
Special screw

All these measures are based on the maximum system dimensions using the 80mm tube and a fabric thickness of 0.5mm

## Standard Accessories



4840

4901	Profile		4902	Profile	
4903	Bottom bar		4943	Acrylic rod (ø4mm)	
4956	Bracket cover (146mm)		4963	Acrylic rod (ø6mm)	
10400	Safety Cord Retainer				

## Sets

4949	Bracket set, containing	4904	Bracket (131mm)	2	
		4906	Plate	2	
		4966	Special screw	1	



## Optional Accessories

3036 Bracket (47mm)



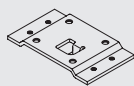
3134 Extension bracket (60mm)



4947 Wire rope bottom fastener



4972 Plate



3133 Bracket cover (60mm)



4946 Wire rope top fastener



4948 Wire rope (ø 1,5mm)



4840



4840



4840

[www.bradingfabrication.com](http://www.bradingfabrication.com)

Brading Fabrication Limited  
1885 Clements Road, Unit 228  
Pickering, ON, Canada  
L1W 3V4

Tel: 289-372-3014

[info@bradingfabrication.com](mailto:info@bradingfabrication.com)