

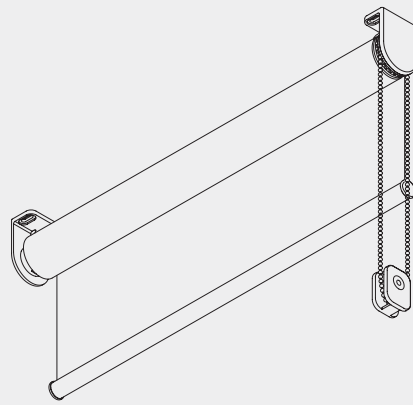
Roller Blind Systems





Chain Operated Roller Blind System

Silent Gliss® 4907



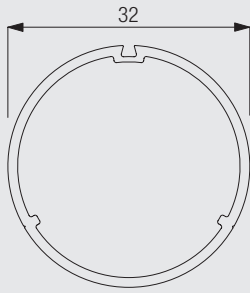
Product Information

- Stylish but functional chain operated roller blind system for contract applications.
- Smooth operation with stainless steel bead chain.
- The blind can be stopped at any given position.
- Elegant and identical (left/right) full metal brackets powder coated in white.
- Easy installation allowing the operation side to be changed.
- All parts are made of high quality materials and combine elegant appearance and high durability.
- Slim, elegant bottom bar in white or grey.



4907

Profile and Bending Information



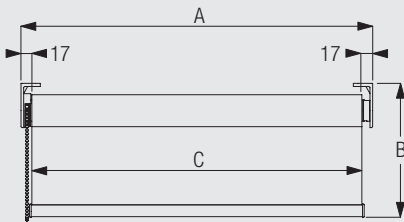
4227



Cannot be bent

How to Measure

Measurement information



A: System width
B: System drop
C: Fabric width

System Dimensions



1.8m



50cm



2.8m



5m²



2.5kg



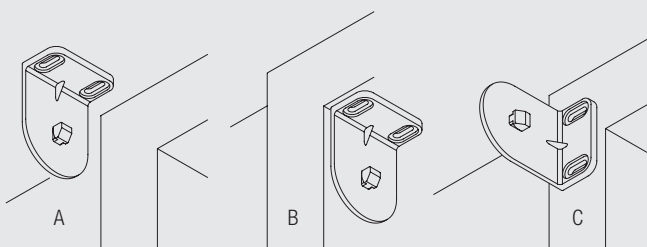
4907

Fitting Information

WARNING

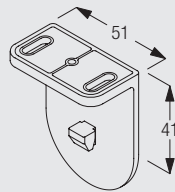
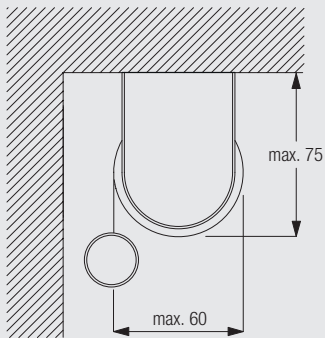
Young children can be strangled by loops in pullcords, chains, tapes and inner cords that operate the product. To avoid strangulation and entanglement, keep cords out of the reach of young children. Cords may become wrapped around a child's neck. Move beds, cots and furniture away from window covering cords. Do not tie cords together. Make sure cords do not twist to create a loop.

Bracket positioning and basic fitting features



A: Ceiling Fixing
B: Recess Fixing
C: Wall Fixing

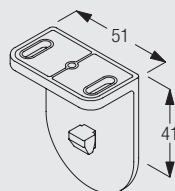
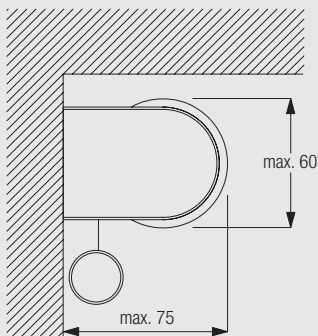
Ceiling fitting



10873
Bracket (white)

All these measures are based on the maximum system dimensions.

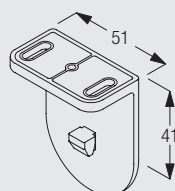
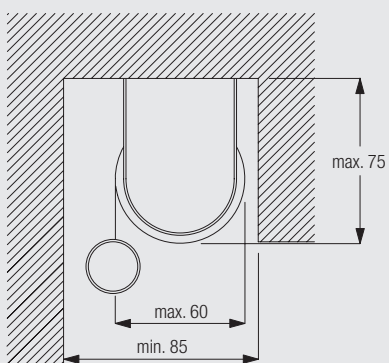
Wall fitting



10873
Bracket (white)

All these measures are based on the maximum system dimensions.

Recess fitting



10873
Bracket (white)

All these measures are based on the maximum system dimensions.



Standard Accessories

4227 Profile



4845 Metal bead chain



10400 Safety Cord Retainer



10872 Profile for bottom bar (white or grey)



10873 Bracket (white)



10874 End cover for bottom bar (white or grey)



10880 Chain drive 32 mm



10885 Click support

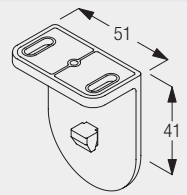


Useful Measures

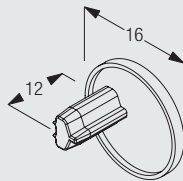
10872 Profile for bottom bar (white or grey)



10873 Bracket (white)



10874 End cover for bottom bar (white or grey)



4907



4907

www.bradingfabrication.com

Brading Fabrication Limited
1885 Clements Road, Unit 228
Pickering, ON, Canada
L1W 3V4

Tel: 289-372-3014

info@bradingfabrication.com