



Innovations In Shading Systems

PerfectFit



Mud In Hanger

Introducing the **Motorized Solutions Perfect Fit series.**

Perfect Fit takes a holistic approach to window treatment concealment. If attention to detail is your pursuit, then Perfect Fit is your solution!



Mud In Hanger

The Perfect Fit Mud In Hanger system has been designed to finish the edges of a custom pocket application.



Mud In Hanger

Typical Results Using Recessed Pocket or Standard Flap and Hanger



Double metal edge



Uneven gaps from wavy drywall



Corners that are not square and level



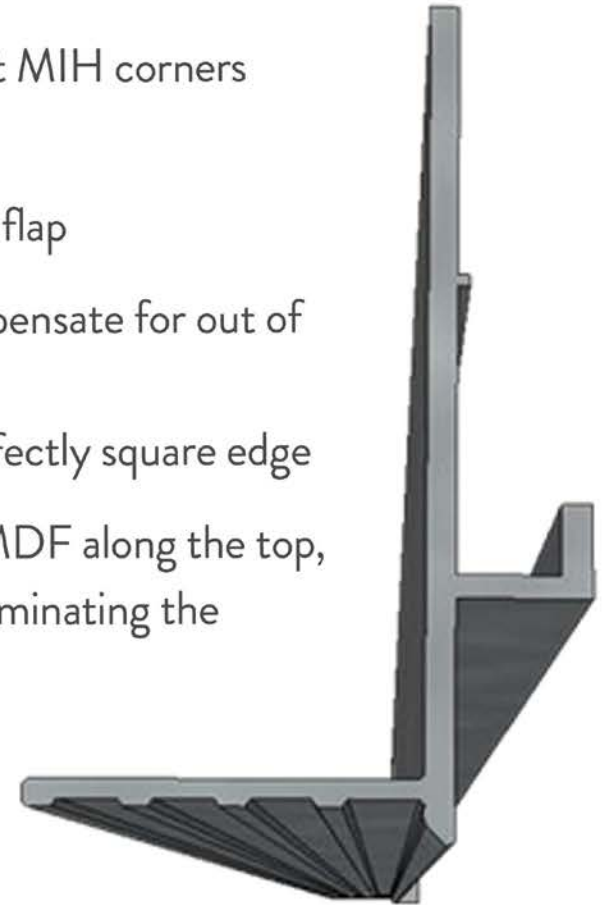
Mud In Hanger

Reduce Installation Time!

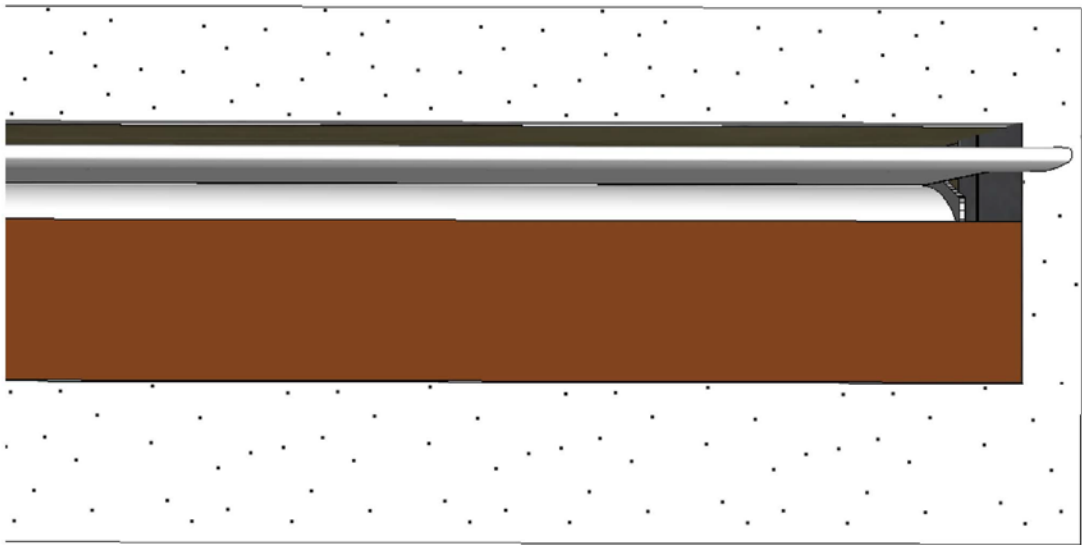
- You are guaranteed to have the proper depth using the Perfect Fit MIH corners
- No leveling of hanger
 - The hanger is installed during construction. Simply hook on the flap
- No more mitering or feathering of the flap at the corners to compensate for out of square cavities
 - By using the Perfect Fit MIH corner, you are guaranteed a perfectly square edge
- By having the builder construct the cavity with solid plywood or MDF along the top, simple wood screws can be used to anchor the shade brackets, eliminating the possibility of blocking not being in place

Various sizes available

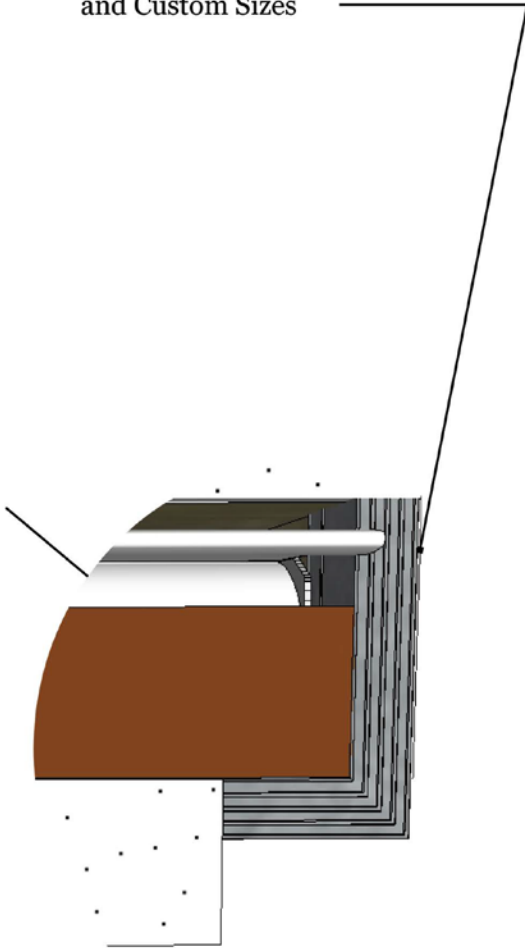
- MIH connects together to seamlessly form any width.
- The hanger is designed for Lutron 2", 3", and 5" flap
- The corners are available in 3.5", 4.75", 6", and 7" depths
(custom sizes are available upon request)



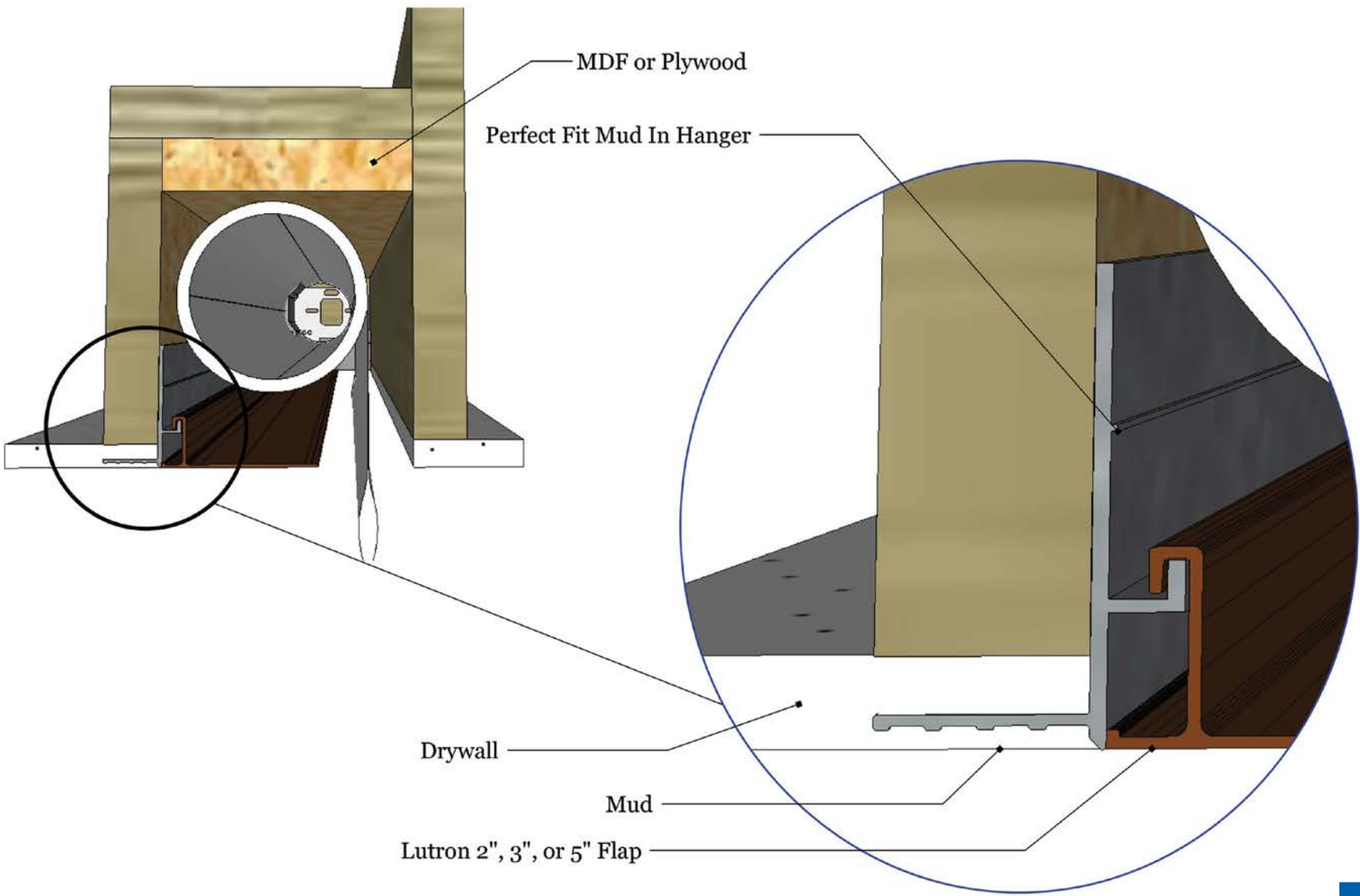
Mud In Hanger



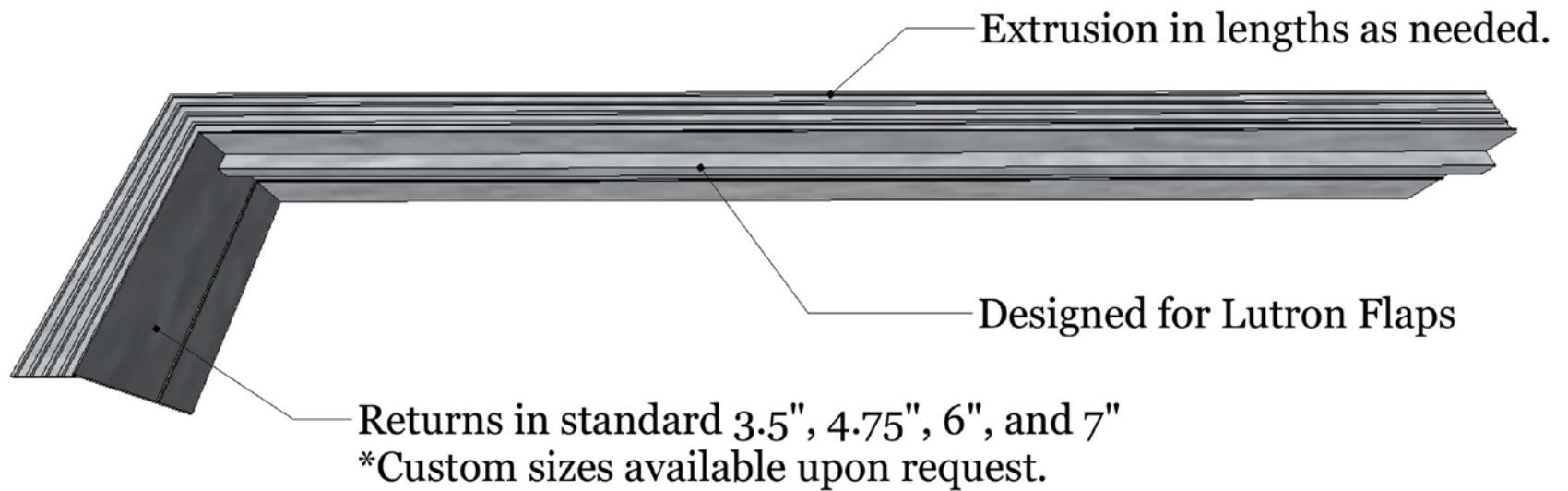
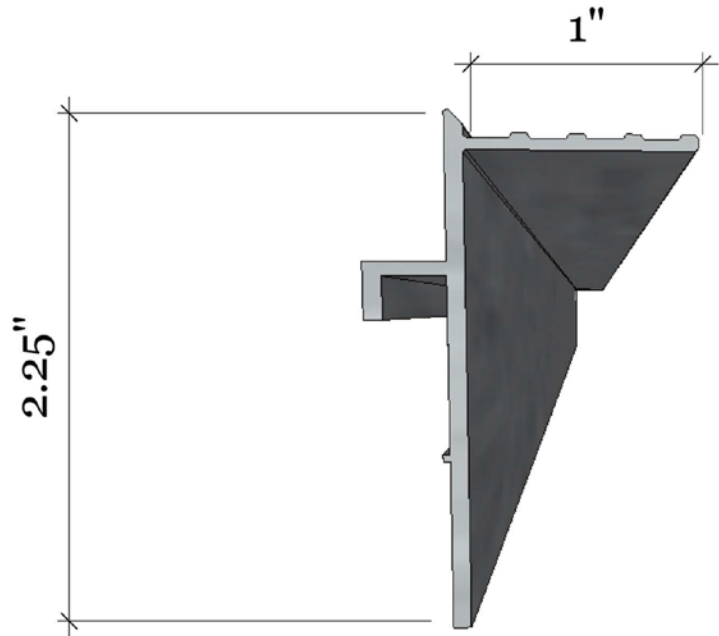
Optional MIH Return Corners
Available at 3.5", 4.75", 6", 7"
and Custom Sizes



Mud In Hanger



Mud In Hanger



The Process

STEP 1

SPECIFY THE QUANTITY OF PERFECT FIT MUD IN HANGERS NEEDED.

PART NUMBERS:

Eight foot extrusions - MIHE8

NOTES:

The extrusion pieces together seamlessly once mud in. Optionally, MIH is available in lengths of 16 ft long. Shipping and handling charges will be custom quoted.

STEP 2

SPECIFY THE QUANTITY AND SIZE OF PERFECT FIT MIH RETURN ENDS REQUIRED FOR YOUR PROJECT.

PART NUMBERS:

Pair of 3.5" - MIHR35

Pair of 4.75" - MIHR475

Pair of 6" - MIHR6

Pair of 7" - MIHR7

NOTES:

Custom return sizes are available.

STEP 3

PURCHASE YOUR FLAPS FROM LUTRON.

NOTES:

A. It must be flap for Lutron hanger. Do not order flap for Lutron pocket as they have a different profile and will not pair with MIH.

B. You may purchase the flap from DEL Motorized Solutions at wholesale pricing (40% off of Lutron list plus shipping).

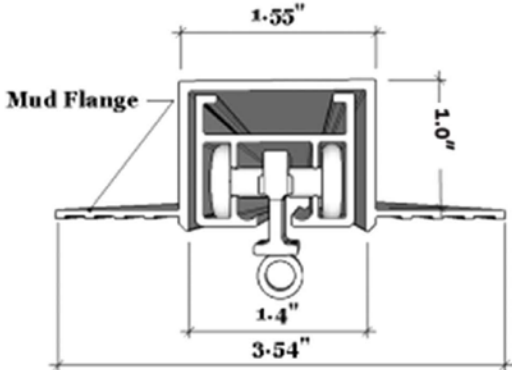
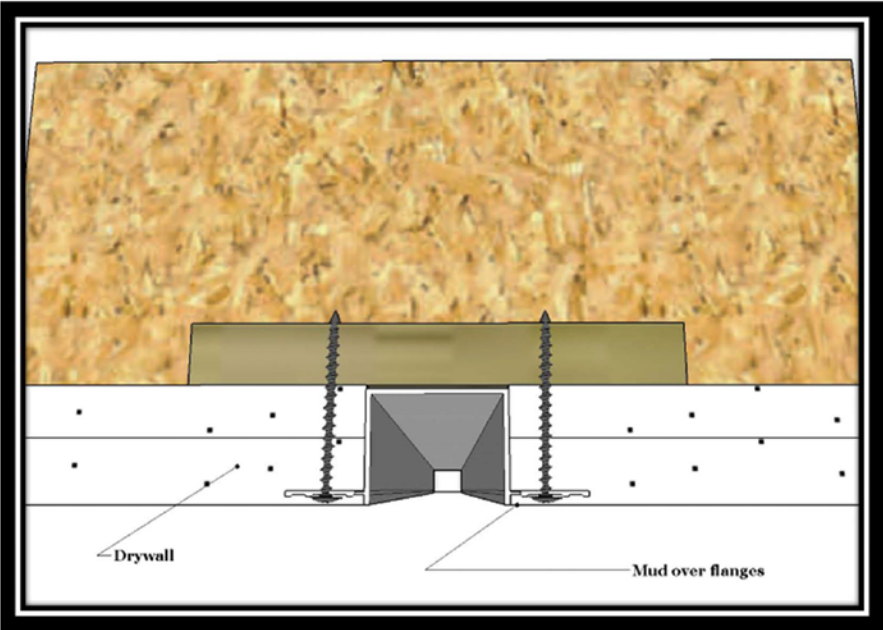


PerfectFit Recessed Drapery Track Cavity

DEL's recessed Drapery Track Cavity (DTC) system will ensure a clean finish to the ceiling with attention to detail.



Recessed Drapery Track Cavity



Recessed Drapery Track Cavity

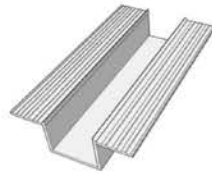
DTC has been engineered for function.

The system provides a perfectly contoured recess for your motorized drapery track and allows for a true, uninterrupted, floor-to-ceiling drapery.



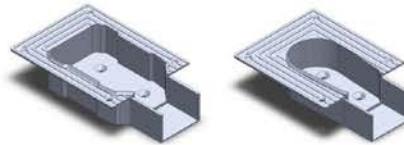
MOTORIZED SOLUTIONS: PARTS

Perfect Fit Lutron
Recessed Drapery Track Cavity



*Seamlessly allows Lutron drapery tracks to be recessed into the ceiling

Perfect Fit Lutron
Recessed Drapery Track Ends



*Motor and idle end for the above

Perfect Fit Lutron
Recessed Drapery Track Cavity Bend



*Lutron 20" radius bend for recessed cavity

Perfect Fit Lutron
Mud In hanger (accepts Lutron flap)



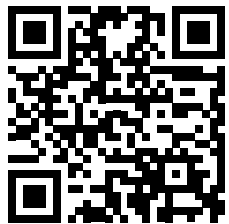
*Creates a perfectly clean line when recessing shades into the ceiling. Eliminates the need for pocket or flap/hanger

Perfect Fit Lutron
Mud in hanger corner



*A perfect 90 degree corner when combined with the above product





Brading Fabrication Ltd. is the exclusive distributor for DEL products in Canada.
bradingfabrication.com
1-800-483-5550



PerfectFit

