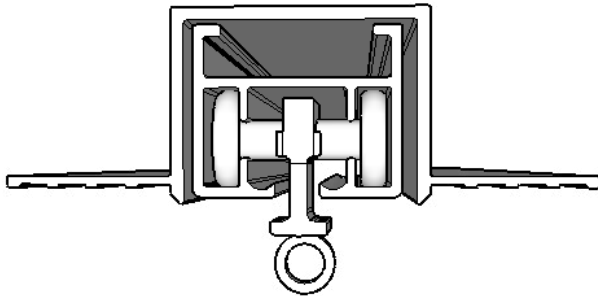


# Perfect Fit Drapery Track Cavity Instructions

Congratulations on your purchase of a specialty shade from DEL/BFL. If you have any questions, please call technical support at 1-800-483-5550 or email us at [info@bradingfabrication.com](mailto:info@bradingfabrication.com)

# PerfectFit

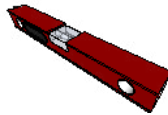


## Important Notes - Please Read Before Installing



### CAUTION: RISK OF FALLING OBJECTS

Securely install the system per the mounting instructions. Failure to do so could result in injury.



All mounting surfaces must be level.



Perfect Fit and hardware are to be anchored into wood blocking. If wood blocking is not available, you must use appropriate fasteners (not included) to support the weight of the system and load.

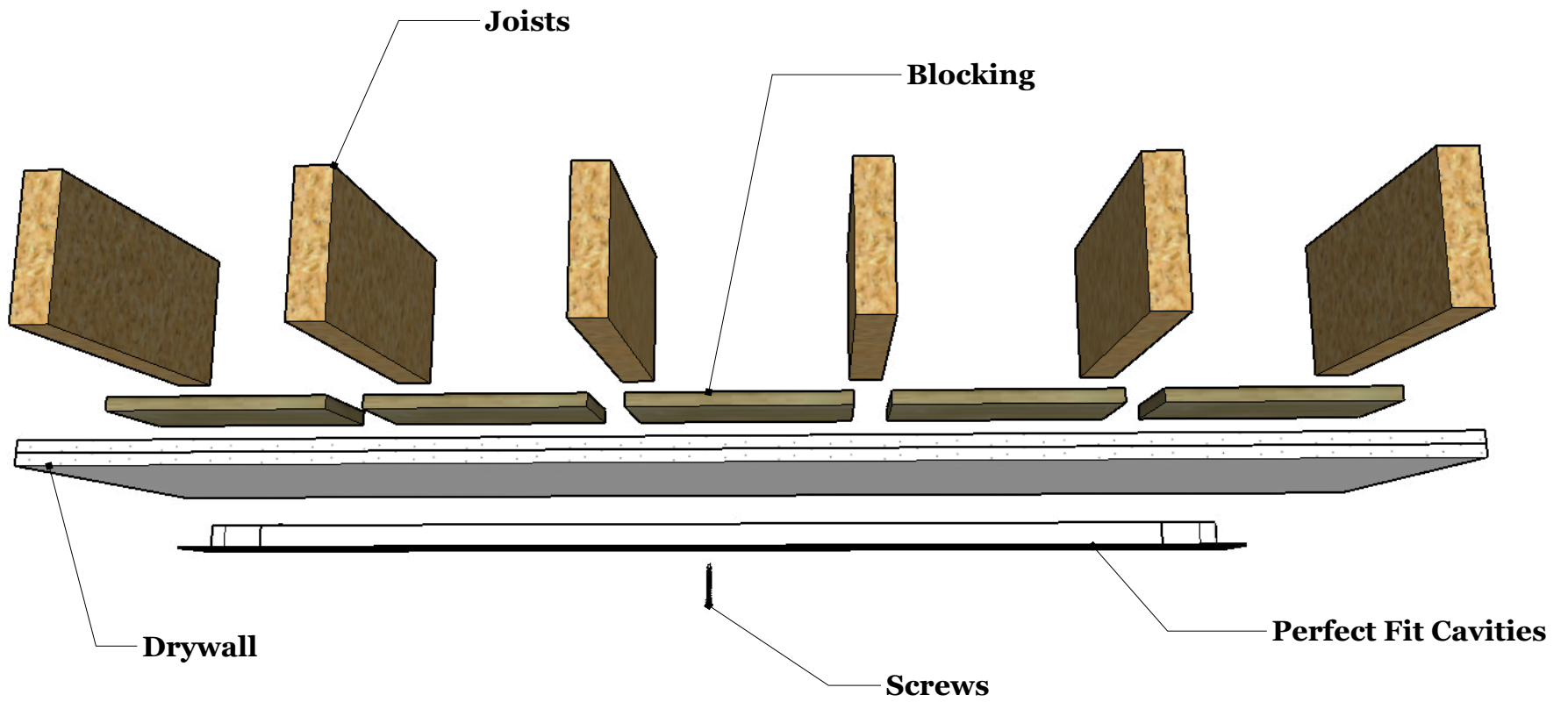


Pre-drill all holes with the appropriate size bit.

### TOOLS REQUIRED

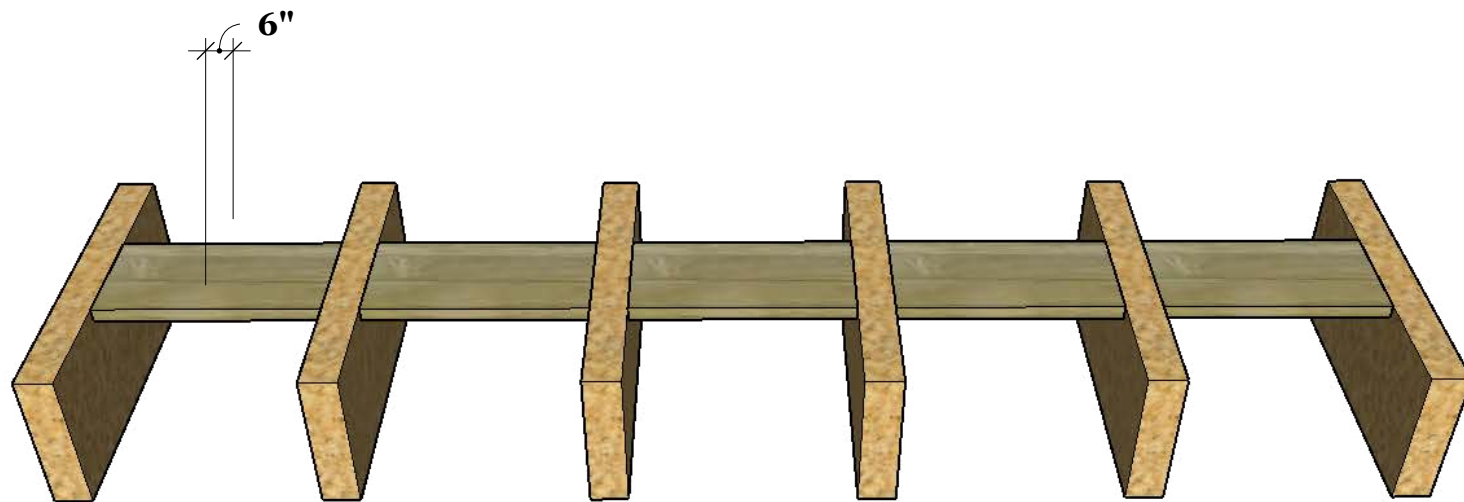
Pencil, Tape Measure, Powered Screwdriver, Drill, Level, Rasp, Drill bits.





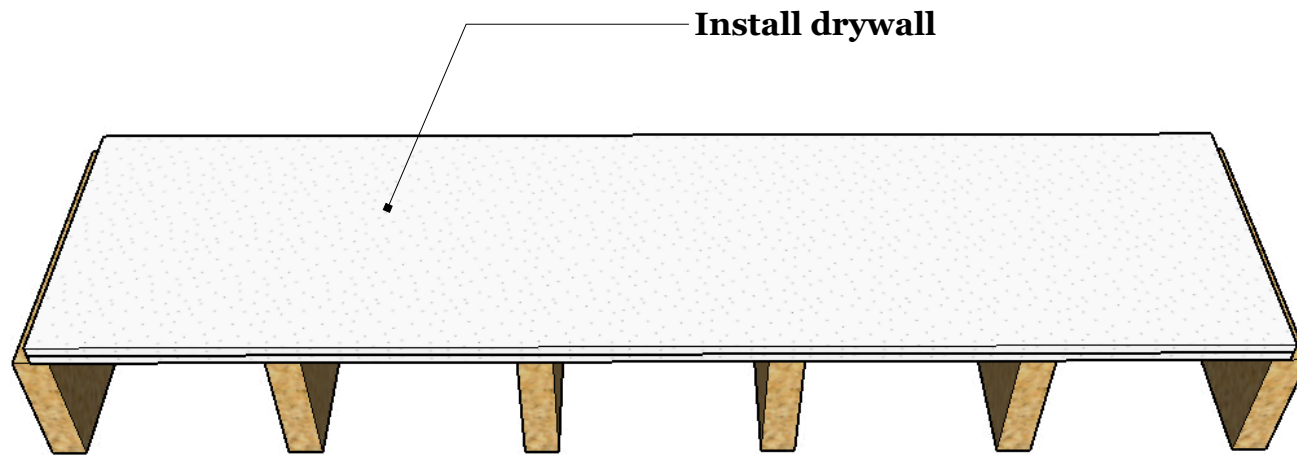
## Step 1 - Blocking

Insert blocking between the joists. Blocking and anchors to be strong enough to support the weight of the Perfect Fit cavity, the drapery track, and the drapery.



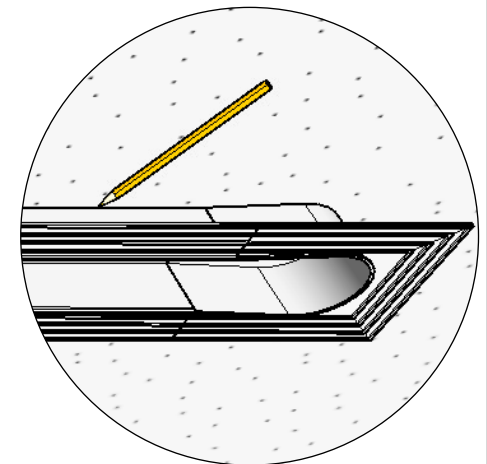
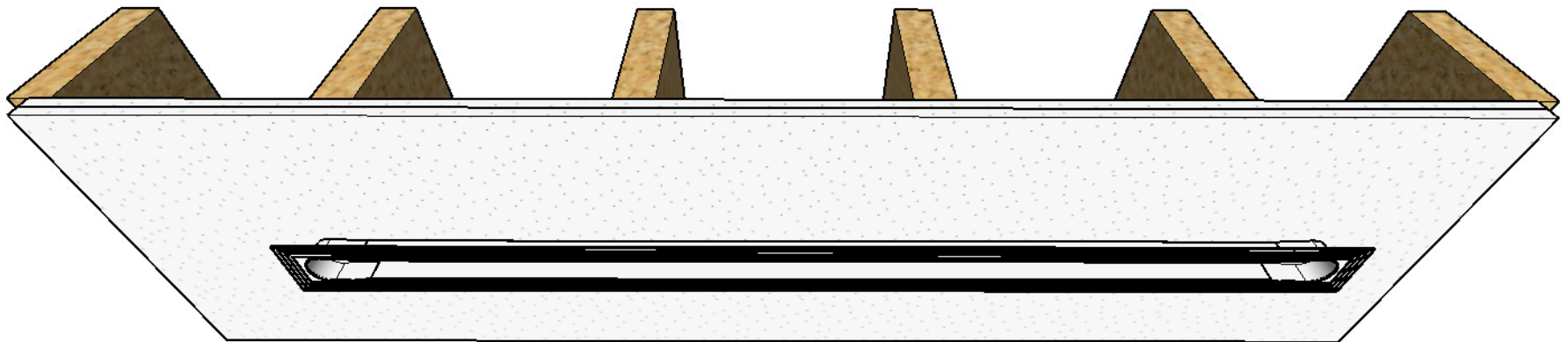
## Step 2 - Drywall

Install the drywall over the joists.



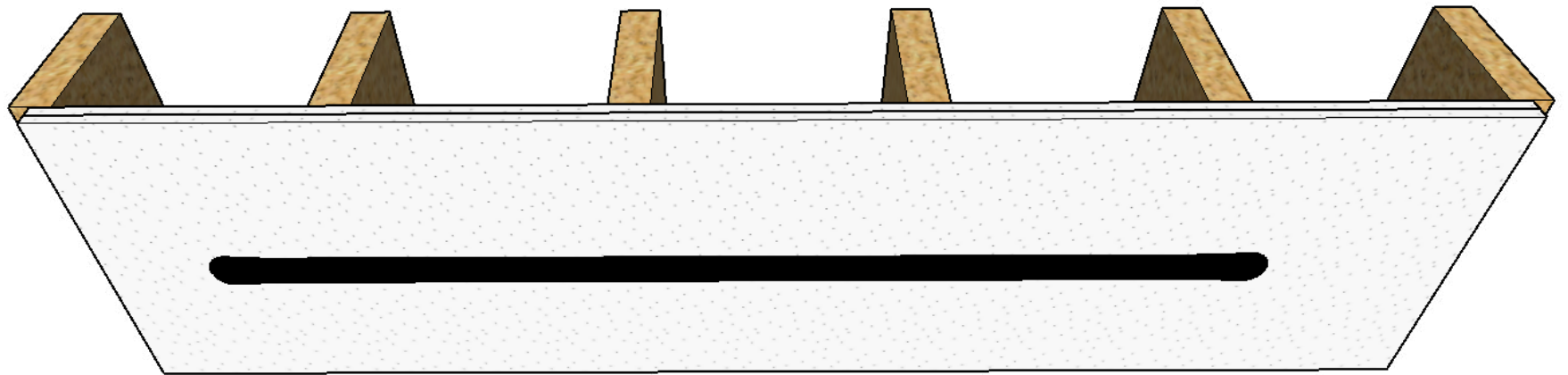
### Step 3 - Tracing The Profile

Place the Perfect Fit cavity on the ceiling. Use temporary screws to tack it in place. Trace the profile using a pencil. Refer to your drapery workroom and or track manufacturer's specifications for stack and clearance requirements.



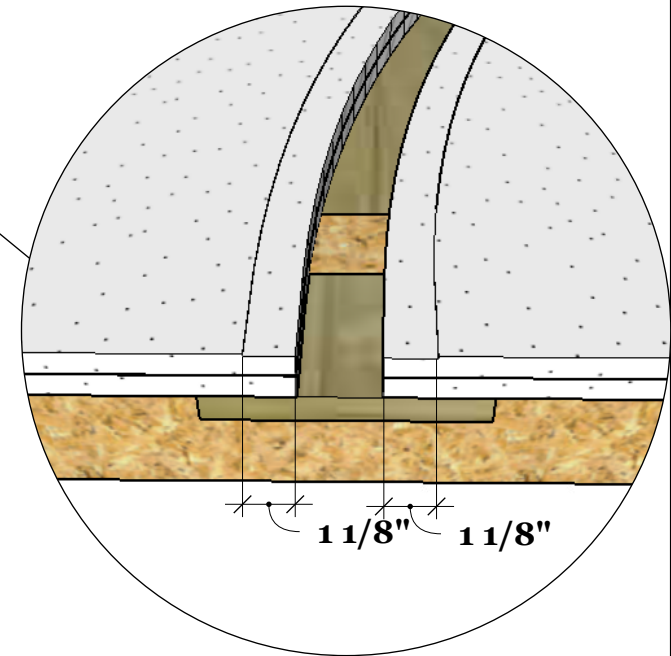
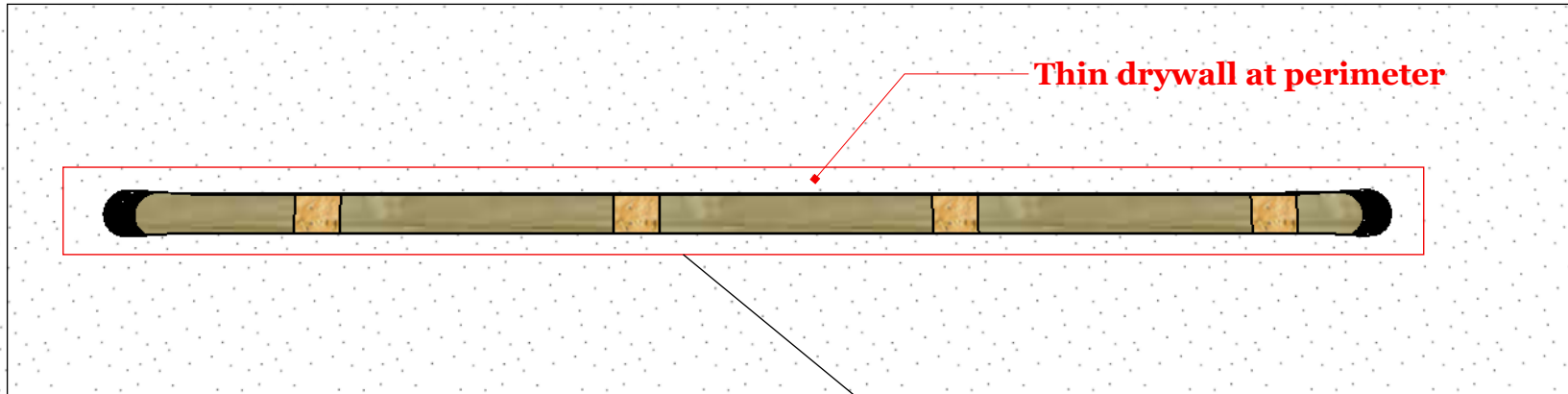
## Step 4 - Cutting The Hole

Cut the drywall at the traced line.



## Step 5 - Thin The Edges

Thin the drywall in the area to receive the Perfect Fit Cavity so that the mud flanges will be flush with the ceiling once mud in.



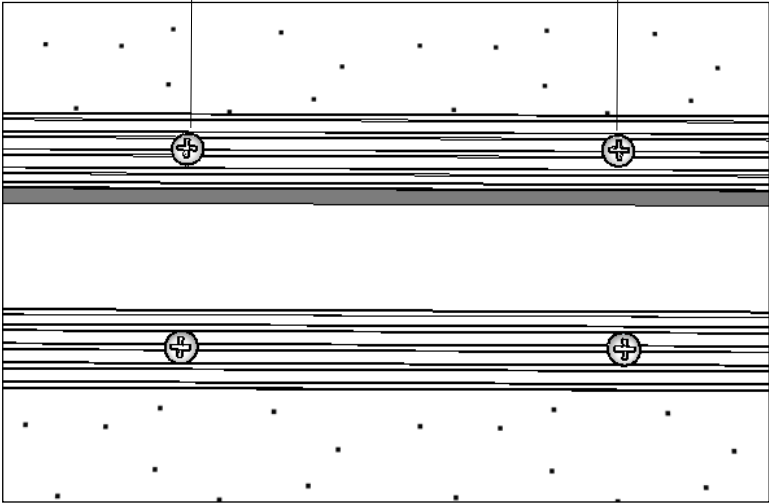
# Step 6 - Install The Cavity

Drill holes and insert screw anchors

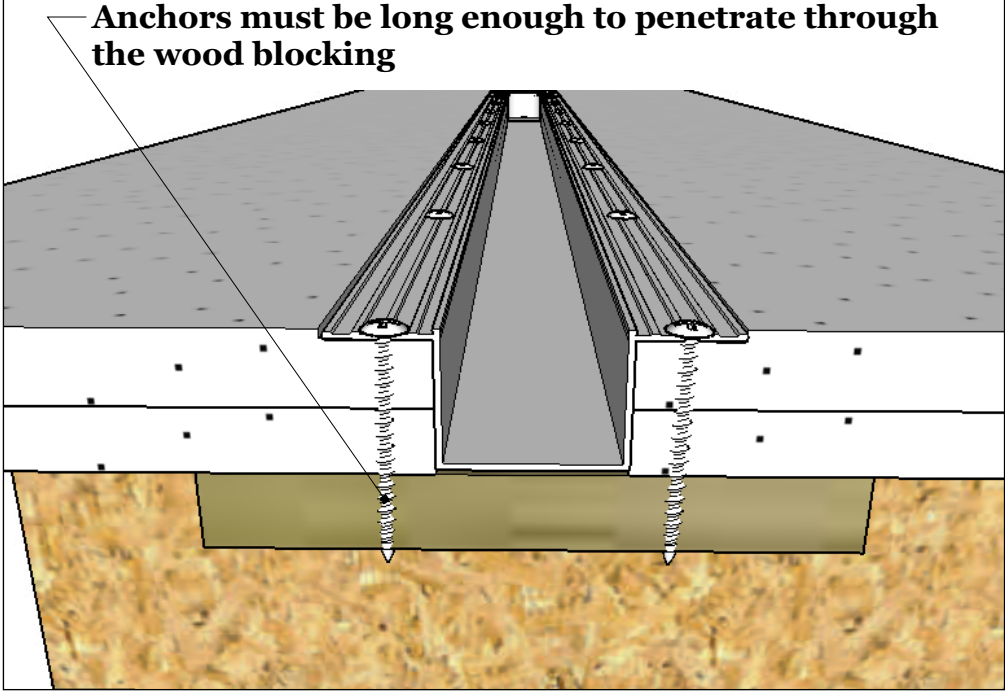


Insert Perfect Fit in hole

Spaced as required to support weight

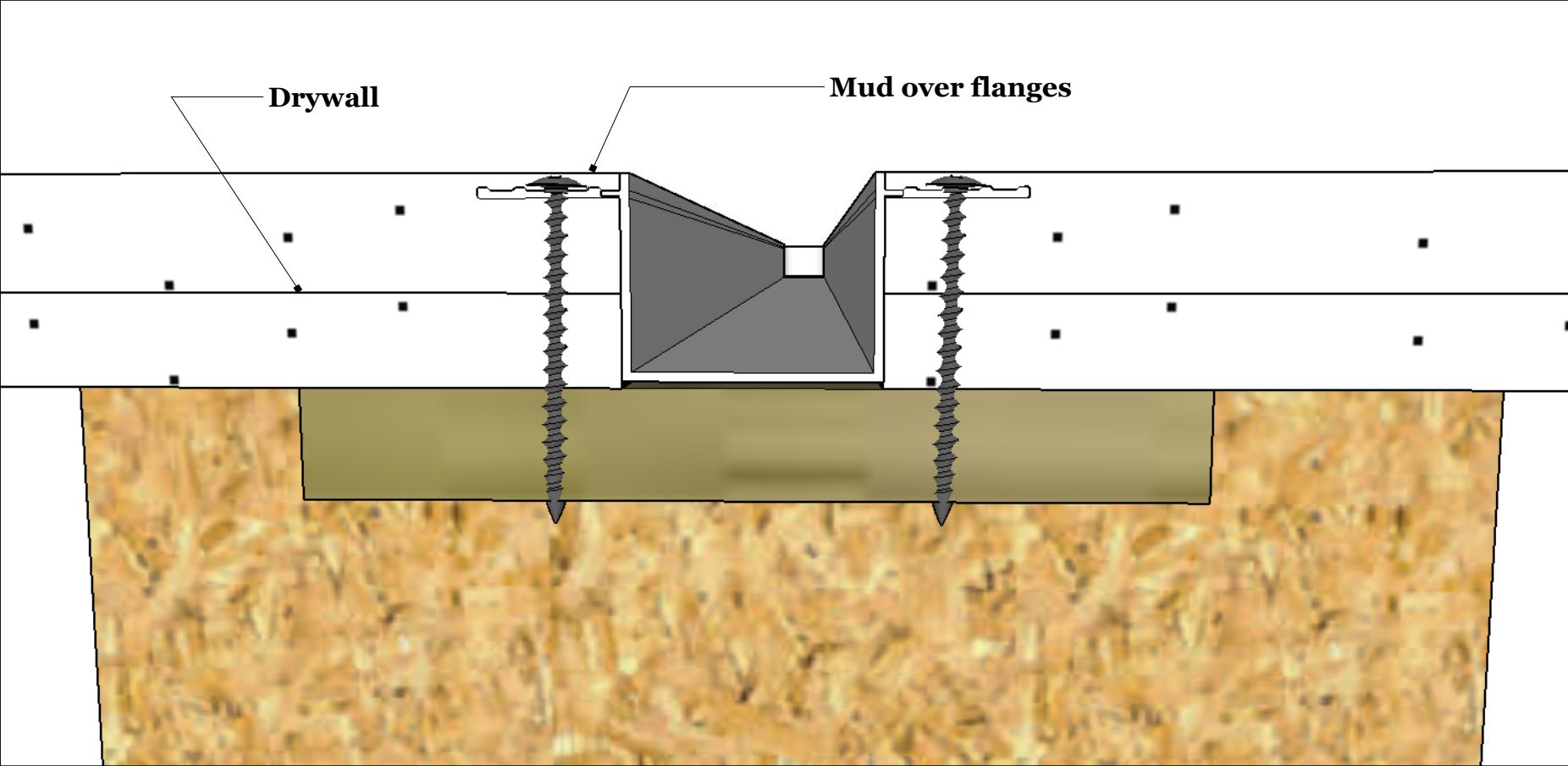


Anchors must be long enough to penetrate through the wood blocking





# Step 7 - Complete The Finish



Note: If your system will be wall to wall, have an inside corner, or be a tandem track, the mud lip will need to be trimmed flush to the cavity to allow the drapery system to reach the extents.

