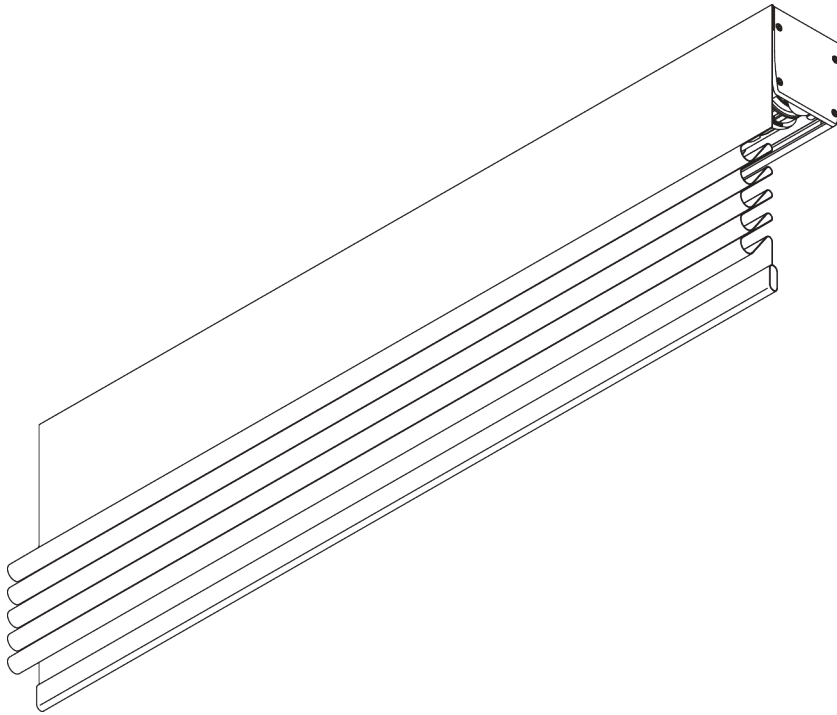
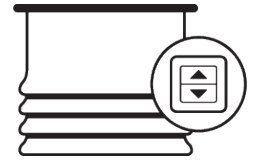


SG 2350



PRODUCT INFORMATION

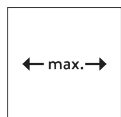
- **Operation:** motorised
- **Range:** S - L
- **Fitting:** ceiling, wall
- **Colours:** white RAL 9016
- **Fabrics:** refer to Silent Gliss fabric collection

Features:

- Quiet and fast motors
- Soft stop
- Various control options
- Enclosed headrail

SYSTEM SPECIFICATIONS

A. SYSTEM DIMENSIONS

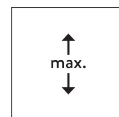


6 m

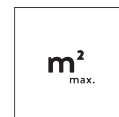


60 cm*

*see motor specification table



6 m



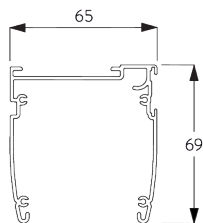
36 m²



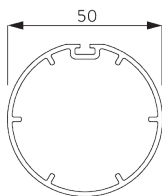
15 kg

B. PROFILE

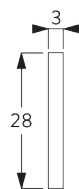
Profile information



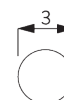
SG 2351
Profile



SG 2352
Profile ø 50 mm

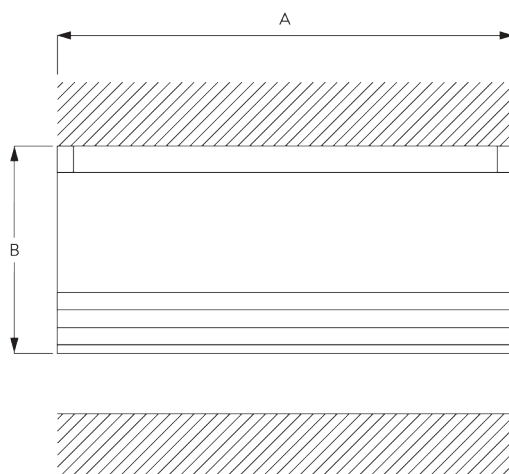


SG 2006
Bottom bar 28x3 mm



SG 2135
Rod steel ø 3 mm

C. HOW TO MEASURE



A: System width
B: System height

D. SPECIFICATION **TEXT**

Silent Gliss 2350 Electrically Operated Austrian/Roman Blind System with Smart by Silent Gliss motor. Ready-assembled comprising aluminium headbox SG 2351 made to measure in powder coated white finish with bonded hook and loop insert, winding tube SG 2352, lift cord SG 2216 and cord release mechanism SG 2353 /SG 2354. Ceiling/face fix using universal bracket SG 2363 wall fix with Silent Gliss Smart Fix bracket range in conjunction with SG 2521 bracket. If supplied with made up blind from Silent Gliss fabric collection includes child safe breakaway components SG 31624 bottom bar set, SG 3069 rod cover (hard / semi hard fold makeup), SG 3165 / 3166 ring (soft fold make-up). Integral 24V DC powered Smart by Silent Gliss motor left / right side. Operation only via Silent Gliss Smart Gateway and associated components in conjunction with compatible third-party control systems. All wiring to be strictly in accordance with Silent Gliss wiring diagrams.

Silent Gliss 2350 Electrically Operated Austrian/Roman Blind System with SG Series 40 motors. Ready-assembled comprising aluminium headbox SG 2351 made to measure in powder coated white finish with bonded hook and loop insert, winding tube SG 2352, lift cord SG 2216 and cord release mechanism SG 2353 / SG 2354. Ceiling / face fix using universal bracket SG 2363 wall fix with Silent Gliss Smart Fix bracket range in conjunction with SG 2521 bracket. If supplied with made up blind from Silent Gliss fabric collection includes child safe breakaway components SG 31624 bottom bar set , SG 3069 rod cover (hard / semi hard fold makeup) , SG 3165 / SG 3166 ring (soft fold make up). Integral 24V DC motor (transformer not included) / 100-240 V AC 50/60Hz motor. Operation by dry contact switching either from fixed switch (not supplied) or third-party control system and / or Silent Gliss SG 9940 radio control system (at additional cost) via integrated receiver. All wiring to be strictly in accordance with Silent Gliss wiring diagrams.

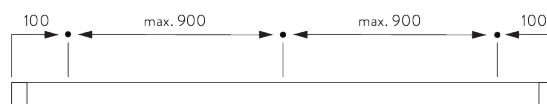
Silent Gliss 2350 Electrically Operated Austrian/Roman Blind System with SG Series 20 motors. Ready-assembled comprising aluminium headbox SG 2351 made to measure in powder coated white finish with bonded hook and loop insert, winding tube SG 2352, lift cord SG 2216 and cord release mechanism SG 2353 / SG 2354. Ceiling/face fix using universal bracket SG 2363 wall fix with Silent Gliss Smart Fix bracket range in conjunction with SG 2521 bracket. If supplied with made up blind from Silent Gliss fabric collection includes child safe breakaway components SG 31624 bottom bar set, SG 3069 rod cover (hard / semi hard fold makeup), SG 3165 / SG 3166 ring (soft fold make-up). Integral 230v 50 Hz powered motor. Operation by mains switch (not supplied) or mains switching by third party control system or SG 0450 remote control system (wireless controls at extra cost). All wiring to be strictly in accordance with Silent Gliss wiring diagrams.

FITTING

A. FITTING **INFORMATION**

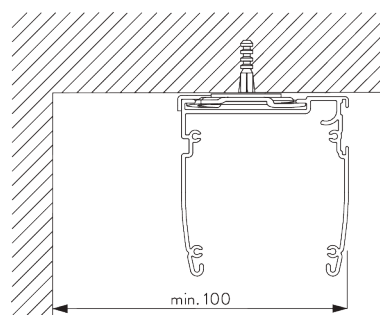
Fixing points

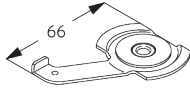
For detailed fitting information, visit the [Silent Gliss website](#).



B. CEILING FITTING

Clamp SG 3003

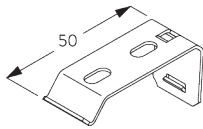
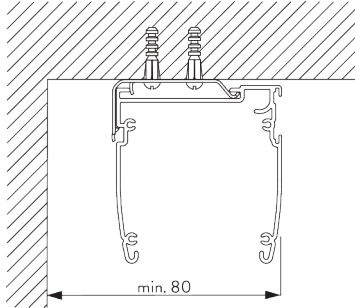




SG 3003

Clamp

Bracket SG 2521

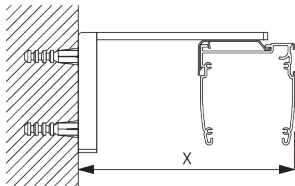


SG 2521

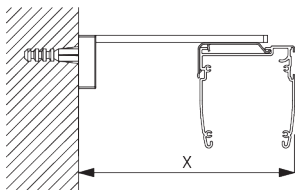
Bracket

C. WALL FITTING

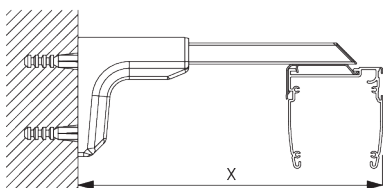
Smart Fix



Smart Fix SG 11200 - SG 11204 and bracket SG 2521:
Screw SG 10395 (M4x6) needed.

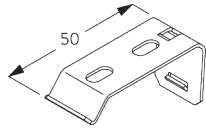


Square Smart Fix SG 11210 - SG 11214 and bracket SG 2521:
Screw SG 10395 (M4x6) needed.



Universal Smart Fix SG 11154 - SG 11156 and bracket SG 2521:
Screw SG 10492 (M4x8) needed.

Smart Fix	X mm
SG 11200 / SG 11210	80-84
SG 11201 / SG 11211	100-104
SG 11202 / SG 11212	120-124
SG 11203 / SG 11213	140-144
SG 11204 / SG 11214	170-174
SG 11154	134-162
SG 11155	164-192
SG 11156	214-242



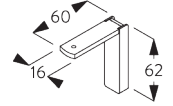
SG 2521
Bracket



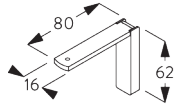
SG 10395
Pan head screw M4x6



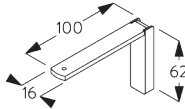
SG 10492
Pan head screw M4x8



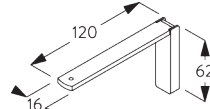
SG 11200
Smart Fix 60 mm



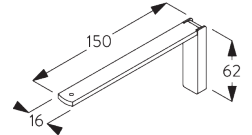
SG 11201
Smart Fix 80 mm



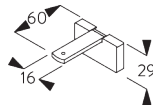
SG 11202
Smart Fix 100 mm



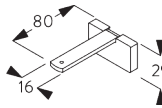
SG 11203
Smart Fix 120 mm



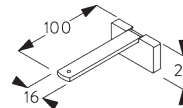
SG 11204
Smart Fix 150 mm



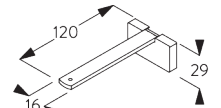
SG 11210
Square Smart Fix 60 mm



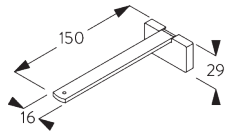
SG 11211
Square Smart Fix 80 mm



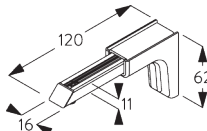
SG 11212
Square Smart Fix 100 mm



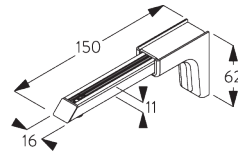
SG 11213
Square Smart Fix 120 mm



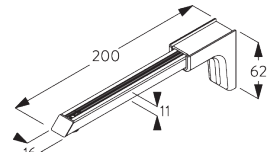
SG 11214
Square Smart Fix 150 mm



SG 11154
Universal Smart Fix 120 mm

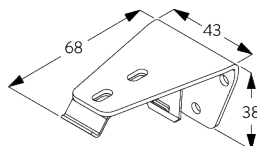
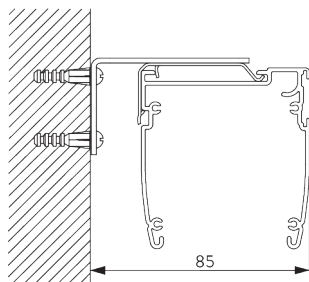


SG 11155
Universal Smart Fix 150 mm



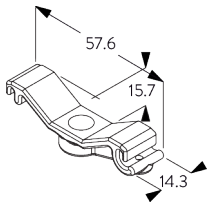
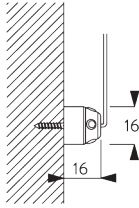
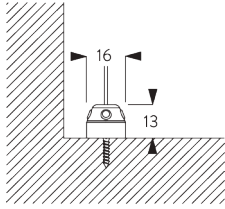
SG 11156
Universal Smart Fix 200 mm

Bracket SG 2363

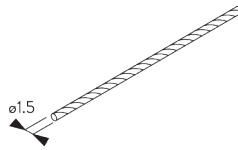


SG 2363
Bracket 68 mm

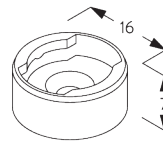
**D. FITTING WITH
SIDE GUIDE
OPTION**



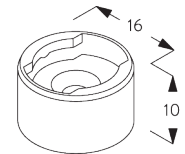
SG 2362
Side guide wire holder



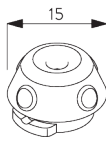
SG 4948
Side guide wire ø 1.5 mm



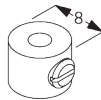
SG 8235
Side guide wire base short



SG 8236
Side guide wire base long



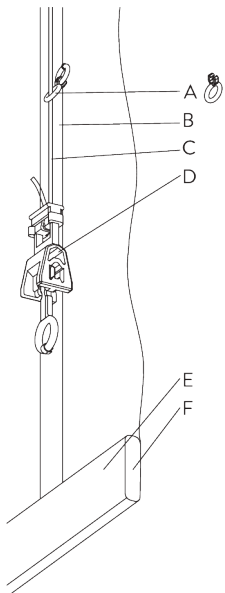
SG 8237
Side guide wire holder



SG 8249
Side guide device

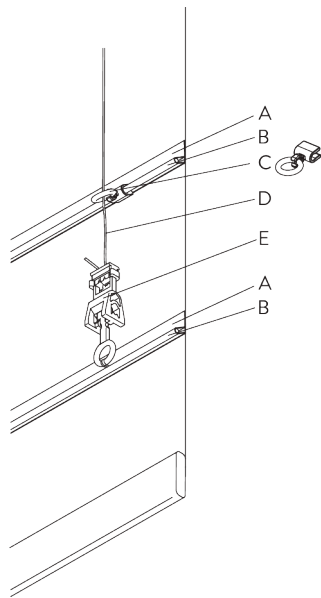
SYSTEM OPTIONS

A. FABRIC MAKE-UP



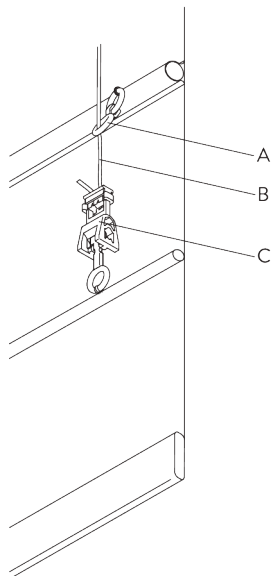
Type A - Softfold

- A: Child safety tape set SG 3166
- B: Set includes tape and child safety eyelet
- C: Tape SG 2163
- D: Child safety hook set SG 3164
- E: Hollow hem
- F: Bottom bar SG 2005



Type B - Hardfold

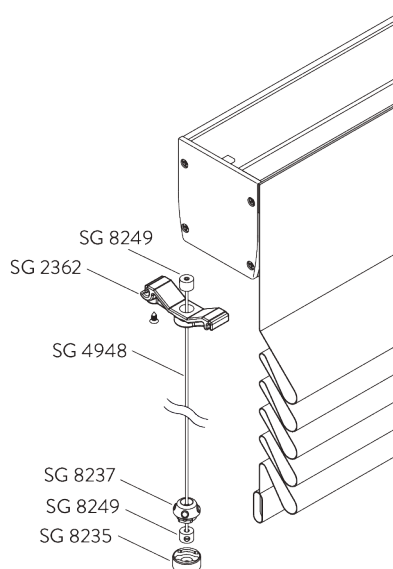
- A: Tape SG 2136
- B: Rod SG 2135
- C: Child safety eyelet hard fold SG 3069
- D: Tape SG 2163
- E: Child safety hook set SG 3164



Type C - Hardfold

- A: Child safety eyelet set SG 3165
- B: Tape SG 2163
- C: Child safety hook set SG 3164

B. SIDE GUIDES



Additional parts:

- 2x SG 2362 Side guide wire holder
- 2x SG 4948 Side guide wire \varnothing 1.5 mm
- 2x SG 8235 Side guide wire base short
- 2x SG 8237 Side guide wire holder
- 4x SG 8249 Side guide device

Note:

- Up to 15° from vertical

MOTORS & CONTROLS

A. MOTOR FEATURES

Motors	50-Series	40-Series	20-Series
	SG 11251 SG 11252	SG 11241 SG 11242 SG 11244 SG 11245	SG 10322 SG 10422 SG 10520 SG 10522

Motor Features

Soft stop	●	●	●
Electronic end-stop	●	●	●
Electronic revolution counter (unlimited revolution)	●	●	●
Mechanical end-stop			
Mechanical revolution counter (limited revolution)			
Two intermediate positions possible		●	
Bottom bar alignment	●	●	
Noiseless stop			●
Parallel wiring possible without additional relays		●	●
Disconnectable motor cable	●	●	●
IP class	IP 30	IP 30	IP 44

Control Features

Mains power control			●
Dry contact control		●	
Dry contact and / or SG Control L control		●	
SG Control L (built-in receiver)		●	
SG Control R (external receiver required)			●
Smart by Silent Gliss	●		
Suitable for most major home automation systems (with suitable interface)		●	●

B. MOTOR SPECIFICATIONS

Motors	Max. weight	Min. system width	Voltage	Current	Frequency	Speed	Frequency receiver
--------	-------------	-------------------	---------	---------	-----------	-------	--------------------

50-Series (Smart by Silent Gliss)

SG 11251	7.5 kg	60 cm	24 V DC	1.5 A	n/a	32 rpm	n/a
SG 11252	15 kg	60 cm	24 V DC	2.1 A	n/a	20 rpm	n/a

40-Series

SG 11241	7.5 kg	82 cm	100-240 V AC	0.6 A	50-60 Hz	32 rpm	868 MHz
SG 11242	15 kg	82 cm	100-240 V AC	0.8 A	50-60 Hz	20 rpm	868 MHz
SG 11244	7.5 kg	60 cm	24 V DC	1.5 A	n/a	32 rpm	868 MHz
SG 11245	15 kg	60 cm	24 V DC	2 A	n/a	20 rpm	868 MHz

20-Series

SG 10322 (standard)	15 kg	60 cm	230 V AC	0.73 A	50 Hz	30 rpm	n/a
SG 10422	7.5 kg	60 cm	120 V AC	1.1 A	50 Hz	36 rpm	n/a
SG 10520	15 kg	60 cm	120 V AC	1.1 A	50 Hz	19 rpm	n/a
SG 10522	7.5 kg	60 cm	230 V AC	0.55 A	50 Hz	30 rpm	n/a

C. OPERATING METHODS

See catalogue "controls" for details.

Wall Switch



System can be operated by fixed wall switch.

SG Control L



Various radio hand-held and wall transmitters available.



Silent Gliss Move App.

SG Control R



Various radio hand-held and wall transmitters available.
An external receiver is required.

Smart by Silent Gliss



Open designed two-way communication system which allows to flawlessly integrate products with most major home control systems.

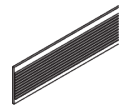
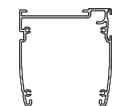
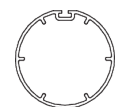
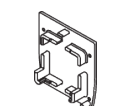
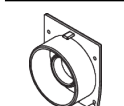
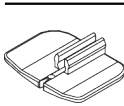
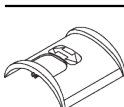
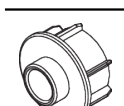
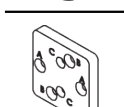
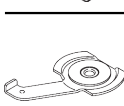
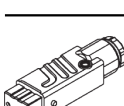
D. WIRING
DIAGRAMS

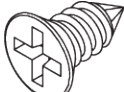


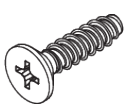


Refer to Silent Gliss website.

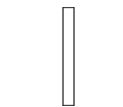

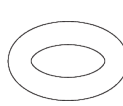
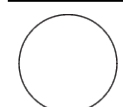
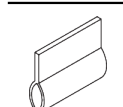
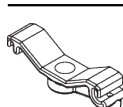
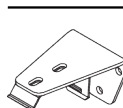
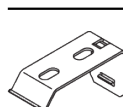
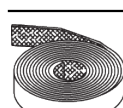

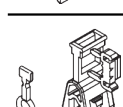
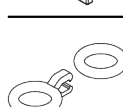
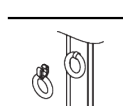
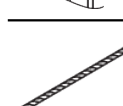
PARTS



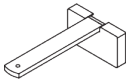


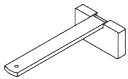

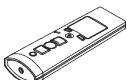
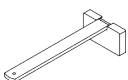
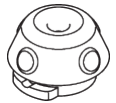


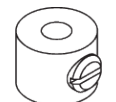
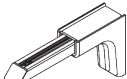

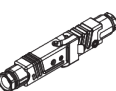
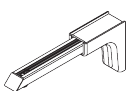

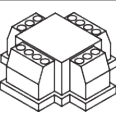
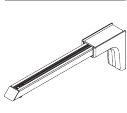

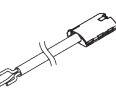
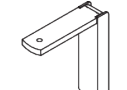


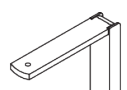


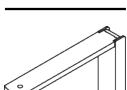
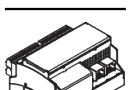
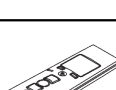

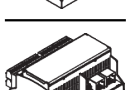


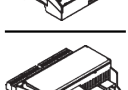


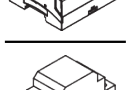

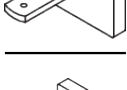
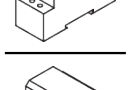
A. STANDARD PARTS

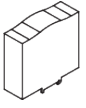
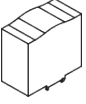
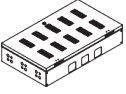
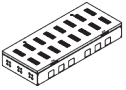
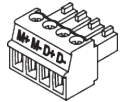
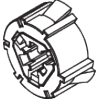
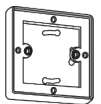
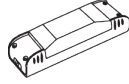
	SG 2216 Cord ø 0.85 mm
	SG 2221 Velcro tape
	SG 2351 Profile
	SG 2352 Profile ø 50 mm
	SG 2353 End cover
	SG 2354 End cover
	SG 2355 Tube adapter
	SG 2357 Pin
	SG 2358 Shell
	SG 2359 Support
	SG 2361 Tube adapter
	SG 2368 Motor plate
	SG 3003 Clamp
	SG 9917 Hirschmann portable socket-outlet STAK 3 N

	SG 10139 Countersunk screw 2.9x6.5
	SG 10284 O-Ring
	SG 10322 Tubular motor 230V AC, 20 Series 5/30
	SG 11324 PT Screw Countersunk KA35x14

B. OPTIONAL PARTS

	SG 2006 Bottom bar 28x3 mm
	SG 2091 End cover
	SG 2093 Ring
	SG 2135 Rod steel ø 3 mm
	SG 2136 Rod tape
	SG 2362 Side guide wire holder
	SG 2363 Bracket 68 mm
	SG 2521 Bracket
	SG 2539 Tape
	SG 3069 Child safety eyelet
	SG 3164 Child safety hook set
	SG 3165 Child safety eyelet set
	SG 3166 Child safety tape set
	SG 4948 Side guide wire ø 1.5 mm

	SG 5736 Relay socket		SG 10520 Tubular motor 120V AC, 20 Series 5/20, UL		SG 11212 Square Smart Fix 100 mm
	SG 8235 Side guide wire base short		SG 10522 Motor 230V AC, 20-Series 3/30		SG 11213 Square Smart Fix 120 mm
	SG 8236 Side guide wire base long		SG 10804 Radio hand held 15+5+1 channel		SG 11214 Square Smart Fix 150 mm
	SG 8237 Side guide wire holder		SG 10851 2 m cable UL certified incl. plug only for USA		SG 11241 Tubular motor 100-240V AC, 40-Series 3/32, radio receiver
	SG 8249 Side guide device		SG 11154 Universal Smart Fix 120 mm		SG 11242 Tubular motor 100-240V AC, 40-Series 6/20, radio receiver
	SG 9916 Hirschmann plug set		SG 11155 Universal Smart Fix 150 mm		SG 11244 Tubular motor 24V DC, 40 Series 3/32, radio receiver
	SG 9959 Central control unit relay		SG 11156 Universal Smart Fix 200 mm		SG 11245 Tubular motor 24V DC, 40-Series 6/20, radio receiver
	SG 10293 Cable 230V AC, 2/3/5/10 m		SG 11200 Smart Fix 60 mm		SG 11251 Motor 24V DC, 50-Series 3/32
	SG 10300 Radio hand held 1 channel		SG 11201 Smart Fix 80 mm		SG 11252 Motor 24V DC, 50-Series 6/20
	SG 10302 Radio hand held 5+1 channel		SG 11202 Smart Fix 100 mm		SG 11260 Smart controller gateway unit
	SG 10303 Radio hand held 10+2+1 channel		SG 11203 Smart Fix 120 mm		SG 11261 Smart controller gateway unit KNX
	SG 10395 Pan head screw M4x6		SG 11204 Smart Fix 150 mm		SG 11262 Smart controller expansion unit
	SG 10422 Tubular motor 120V AC, 20 Series 3/36, UL		SG 11210 Square Smart Fix 60 mm		SG 11263 Power supply 24V DC, 2.5A DIN Rail
	SG 10492 Pan head screw M4x8		SG 11211 Square Smart Fix 80 mm		SG 11264 Power supply 24V DC, 3.8A DIN Rail

**SG 11265***Power supply 24V DC, 5A DIN Rail***SG 11266***Power supply 24V DC, 10A DIN Rail***SG 11281***Cabinet for 8 systems***SG 11282***Cabinet for 24 systems***SG 11283***Cabinet for 56 systems***SG 11319***Plug 4-pin, MC 1.5/4-ST-3.81***SG 11351***Motor drive 5-Series***SG 11352***Motor drive 40/50-Series***SG 11480***Radio wall transmitter 1 channel***SG 11490***Radio wall transmitter 5+1 channel***SG 20336***Hand held transmitter 8 channel***SG 20913***Wall switch single channel***SG 20914***Wall switch 8 channel***SG 20917***Pattress box***SG 20919***Control module motor type R*

www.bradingsfabrication.com

Brading Fabrication Limited
1885 Clements Road, Unit 228
Pickering, ON, Canada
L1W 3V4

Tel: 1-800-483-5550

info@bradingsfabrication.com