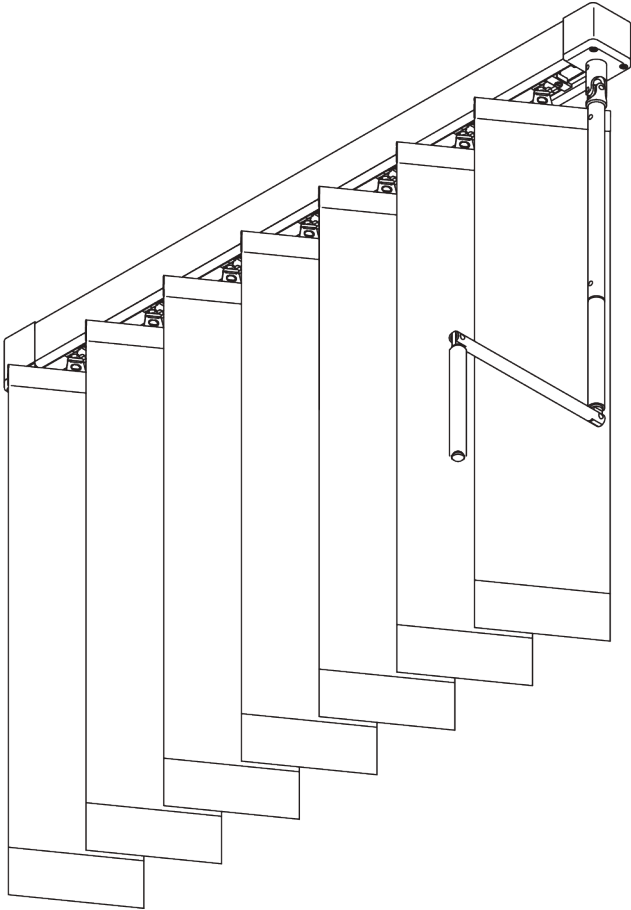


SG 2900



PRODUCT INFORMATION

- **Operation:** Crank
- **Range:** S - L
- **Fitting:** ceiling, wall, recess
- **Colours:** white RAL 9016 or anodised aluminum, special colours possible
- **Fabrics:** refer to Silent Gliss fabric collection

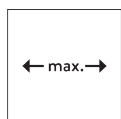
Features:

- Optimised light control
- Mono controlled
- Sloping applications
- Louvre width: 127 mm (standard), 89 mm
- Vertical Waves
- Bendable

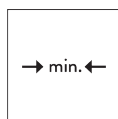
12/2023/V1

SYSTEM SPECIFICATIONS

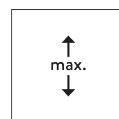
A. SYSTEM DIMENSIONS



6 m



Single Stack: 50 cm
Pair stack: 1.1 m










4 m

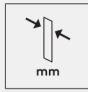

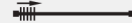

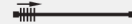



600 g per louvre

Max. system widths

		
	127 mm 89 mm	6 m 6 m
	127 mm 89 mm	6 m 6 m
	127 mm 89 mm	6 m 5 m
	127 mm 89 mm	5 m 5 m
	127 mm 89 mm	6 m 5 m

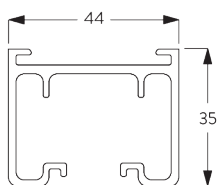
Stack sizes

													
		100	150	200	250	300	350	400	450	500	550	600	
127 mm		27	35	42	50	57	65	72	80	87	95	101	
		21	25	28	32	36	39	43	47	50	54	58	
89 mm		29	40	50	60	69	80	89	100	110	120	129	
		20	25	30	35	39	45	50	56	60	65	69	

(cm)

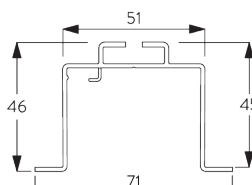
B. PROFILE

Profile and bending information



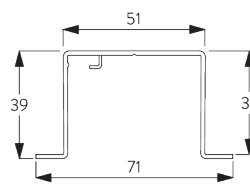
SG 2901

Profile



SG 2948

Recess profile

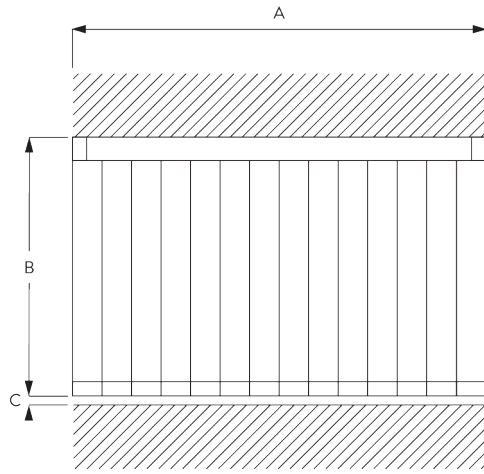


SG 2932

Recess profile



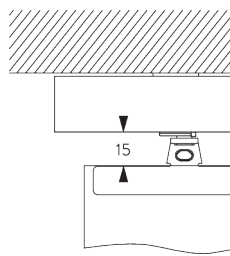
**C. HOW TO
MEASURE**



A: System width
B: System height
C: Distance between floor and fabric

Crank height approx. 110 cm from the floor (crank extended)!

Light gap



**D. SPECIFICATION
TEXT**

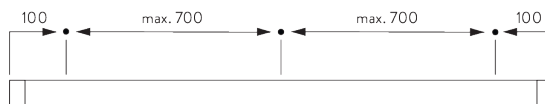
Silent Gliss SG 2900 Crank Operated Vertical Blind System. Comprises aluminium profile SG 2901 supplied made to measure powder coated white or silver anodised. Assembled complete with detachable crank handle SG 2746 and rotation elements to suit louvre width 127mm SG 2916 / 89mm SG 2918. Top fixed with clamp SG 3033 at max 300mm centres + 1. Wall fixed with clamp SG 3033 in conjunction with SG Universal Smart Fix brackets SG 11154-11156 at 300mm centres + 1. Recess fixed option with recess profile SG 2932 and wedges SG 2941. Fabric supplied from Silent Gliss fabric range.

FITTING

**A. FITTING
INFORMATION**

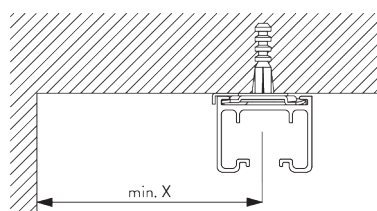
For detailed fitting information, visit the Silent Gliss website.

Fixing points

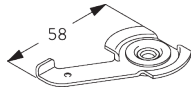


B. CEILING FITTING

Clamp SG 3033



Min. wall distance louvres	X mm
89 mm	65
127 mm	85
Vertical Waves 89 mm	115
Vertical Waves 125 mm	140

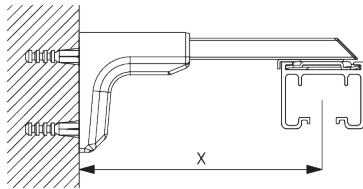


SG 3033

Clamp

C. WALL FITTING

Smart Fix



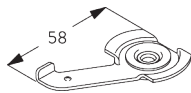
**Universal Smart Fix SG 11154 - SG 11156
and clamp SG 3033**

Screw SG 11158 (M4x12) needed.

Smart Fix	X mm
SG 11154	102-130
SG 11155	132-160
SG 11156	182-210

Min. wall distance louveres

Vertical Waves 89 mm	115
Vertical Waves 125 mm	140

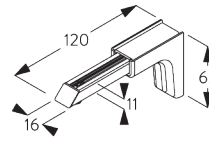


SG 3033

Clamp

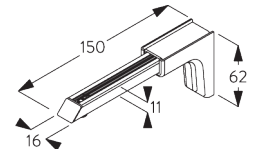
SG 11158

Countersunk head screw
M4x12



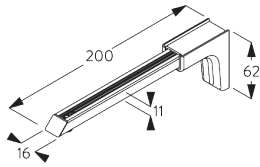
SG 11154

Universal Smart Fix 120 mm



SG 11155

Universal Smart Fix 150 mm

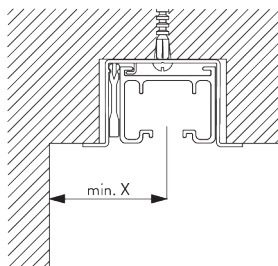


SG 11156

Universal Smart Fix 200 mm

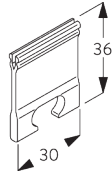
D. RECESS FITTING

Recess profile
SG 2932

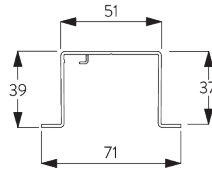


Recess profile SG 2932 can not be bent!
One wedge SG 2941 per fixing point.
For detailed recess fitting, visit the Silent Gliss website.

Min. wall distance louveres	X mm
89 mm	65
127 mm	85
Vertical Waves 89 mm	115
Vertical Waves 125 mm	140

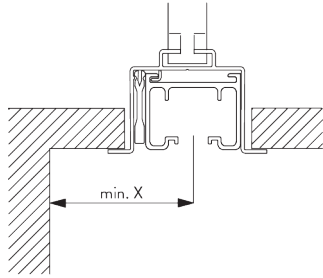


SG 2941
Wedge



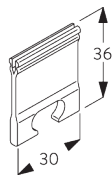
SG 2932
Recess profile

**Suspended ceiling
with recess profile
SG 2948 / hanger
SG 6268**

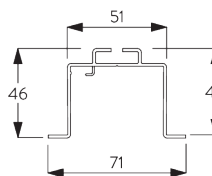


*Recess profile SG 2948 can not be bent!
One wedge SG 2941 per fixing point.
For detailed recess fitting, visit the Silent Gliss website.*

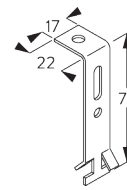
<i>Min. wall distance louvres</i>	<i>X mm</i>
89 mm	65
127 mm	85
Vertical Waves 89 mm	115
Vertical Waves 125 mm	140



SG 2941
Wedge



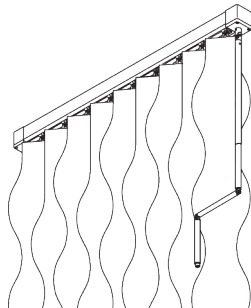
SG 2948
Recess profile

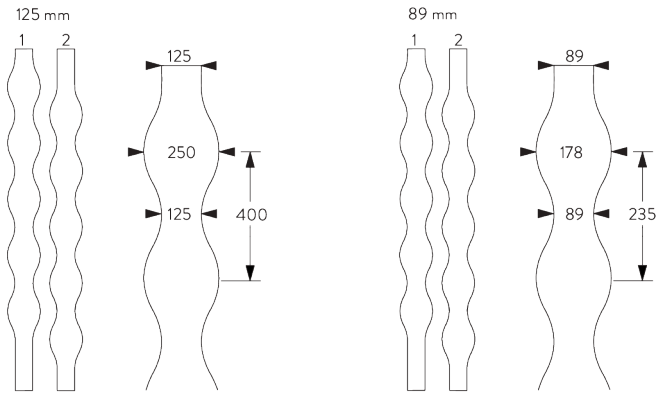


SG 6268
Hanger

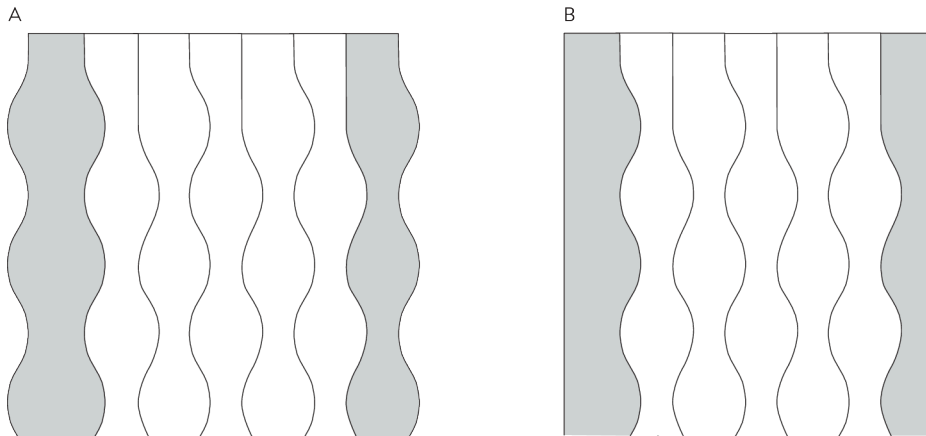
SYSTEM OPTIONS

A. VERTICAL WAVES





3D Vertical Waves only applicable with 125 mm louvres.

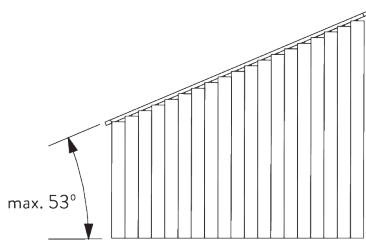


Wall ending

A: Wavy edge

B: Straight edge

B. SLOPING WINDOWS

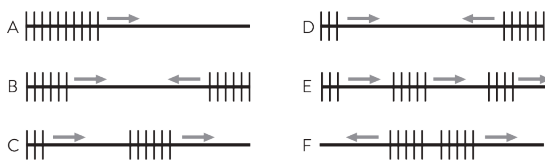


Maximum slope depends on louvre widths:

- 45° with 127 mm louvres
- 53° with 89 mm louvres

Not suitable with system option Vertical Waves.

C. STACKING VARIATIONS



A: Single stack in one direction

B: Pair stack in two directions symmetrical

C: Pair stack in one direction asymmetrical

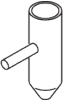
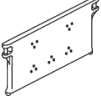

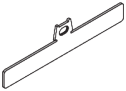
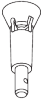
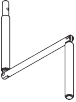
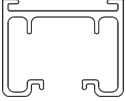
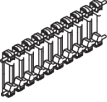



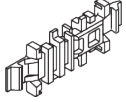
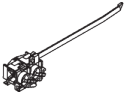

D: Pair stack in two directions asymmetrical

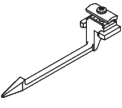

E: Multiple stacking in one direction symmetrical or asymmetrical

F: Centre stack

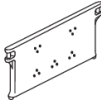

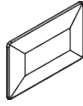
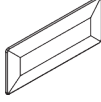


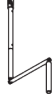
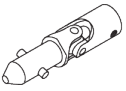



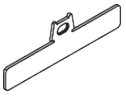


PARTS

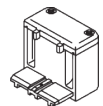
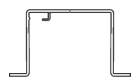
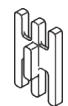
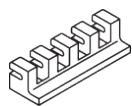
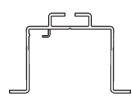
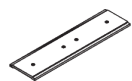
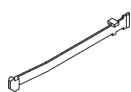
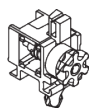
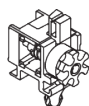
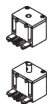
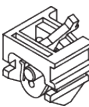
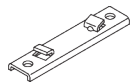
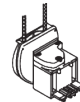
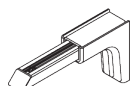
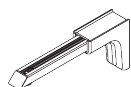
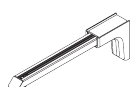
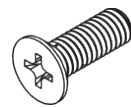
A. STANDARD PARTS

	SG 2182 Sleeve
	SG 2471 Bottom weight 127 mm
	SG 2479 Bottom link 127 mm
	SG 2605 Top clip 127 mm
	SG 2754 Detachable crank hood
	SG 2756 Crank handle
	SG 2901 Profile
	SG 2912 Toothed chain
	SG 2916 Rotation element set 127 mm / 5"
	SG 2917 Rotation element set 100 mm / 4"
	SG 2920 Crank drive set
	SG 2925 Chain connector
	SG 2927 Pilot runner
	SG 2949 End stop

	SG 2982 End stop
	SG 3033 Clamp

B. OPTIONAL PARTS

	SG 2473 Bottom weight 89 mm
	SG 2481 Bottom link 89 mm
	SG 2671 Bottom weight 89 mm
	SG 2672 Bottom weight 127 mm
	SG 2735 Holder
	SG 2742 Crank joint
	SG 2745 Crank handle with joint
	SG 2755 Crank joint
	SG 2775 Sloping window distance part
	SG 2776 Sloping window distance part
	SG 2793 Sloping window distance part
	SG 2813 Top clip 89 mm
	SG 2849 Louvre clip
	SG 2888 Bottom link 127 mm / 5"

**SG 2918***Rotation element set 89 mm / 3.5"***SG 2919***Rotation element set 80 mm / 3"***SG 2930***Guide return***SG 2932***Recess profile***SG 2937***Safety device***SG 2941***Wedge***SG 2944***Limit stop***SG 2945***Limit stop***SG 2946***Limit stop***SG 2948***Recess profile***SG 2962***Connection bridge***SG 2966***Spacer***SG 2967***Spacer***SG 2968***Spacer***SG 2969***Spacer***SG 2971***Rotation element sloping window***SG 2972***Spacer***SG 2973***Spacer***SG 2975***Pilot runner sloping window***SG 2976***Drive set sloping window***SG 2979***Brake sloping window***SG 2987***Bracket***SG 2989***Connector***SG 2990***Cord drive***SG 6268***Hanger***SG 11154***Universal Smart Fix 120 mm***SG 11155***Universal Smart Fix 150 mm***SG 11156***Universal Smart Fix 200 mm***SG 11158***Countersunk head screw M4x12*

www.bradingfabrication.com

Brading Fabrication Limited
1885 Clements Road, Unit 228
Pickering, ON, Canada
L1W 3V4

Tel: 1-800-483-5550

info@bradingfabrication.com