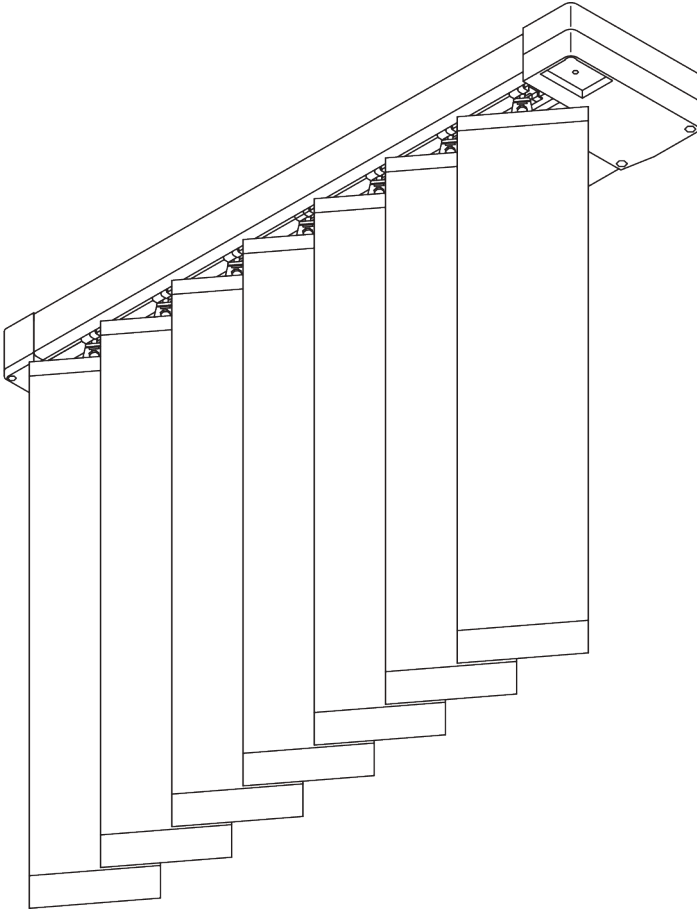
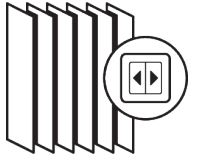


# SG 2950

---



## PRODUCT INFORMATION

- **Operation:** motorised
- **Range:** S - L
- **Fitting:** ceiling, wall, recess
- **Colours:** white RAL 9016 or anodised aluminum, special colours possible
- **Fabrics:** refer to Silent Gliss fabric collection

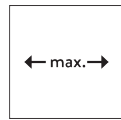
### **Features:**

- Optimised light control
- Various control options
- Sloping applications
- Louvre width: 127 mm (standard), 89 mm
- Vertical Waves
- Bendable

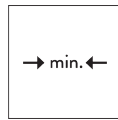
12/2023/V1

# SYSTEM SPECIFICATIONS

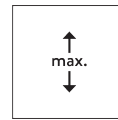
## A. SYSTEM DIMENSIONS



6 m



Single Stack: 50 cm  
Pair stack: 1.1 m



4 m



600 g per louvre

## Max. system widths

	127 mm 89 mm	6 m 6 m
	127 mm 89 mm	6 m 6 m
	127 mm 89 mm	6 m 5 m
	127 mm 89 mm	5 m 5 m
	127 mm 89 mm	6 m 5 m
	127 mm 89 mm	5 m 4.5m

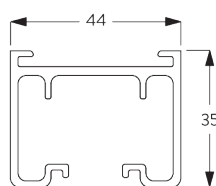
## Stack sizes

		100	150	200	250	300	350	400	450	500	550	600
127 mm		27	35	42	50	57	65	72	80	87	95	101
		21	25	28	32	36	39	43	47	50	54	58
89 mm		29	40	50	60	69	80	89	100	110	120	129
		20	25	30	35	39	45	50	56	60	65	69

(cm)

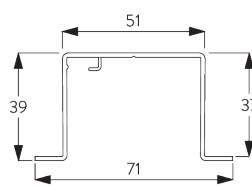
## B. PROFILE

### Profile and bending information



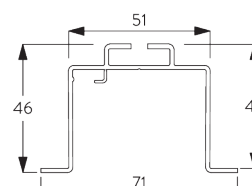
**SG 2901**

Profile



**SG 2932**

Recess profile

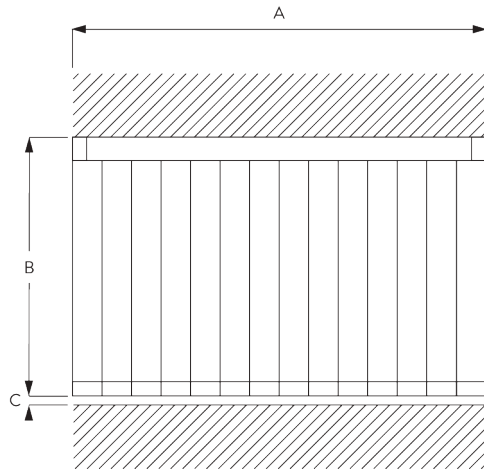


**SG 2948**

Recess profile

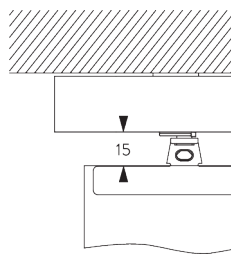


**C. HOW TO  
MEASURE**



A: System width  
B: System height  
C: Distance between floor and fabric

**Light gap**



**D. SPECIFICATION  
TEXT**

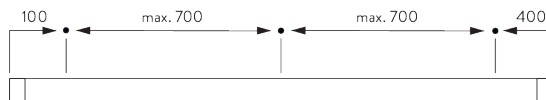
**Silent Gliss SG 2950 Electrically Operated Vertical Blind System.** Comprises aluminium profile SG 2901 supplied made to measure powder coated white or silver anodised. Assembled with motor SG 9090 / SG 9091, internal drive belt SG 2912 complete with rotation elements to suit louvre width 127mm SG 2916 / 89mm SG 2918. Top fixed with clamp SG 3033 at max 300mm centres + 1. Wall fixed with clamp SG 3033 in conjunction with SG Universal Smart Fix brackets SG 11154-11156 at 300mm centres + 1. . Recess fixed option with recess profile SG 2932 and wedge SG 2941. Operation by dry contact switching / Silent Gliss radio controls System SG 0450/SG 9940. Fabric supplied from Silent Gliss fabric range.

**FITTING**

**A. FITTING  
INFORMATION**

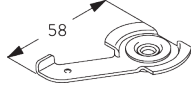
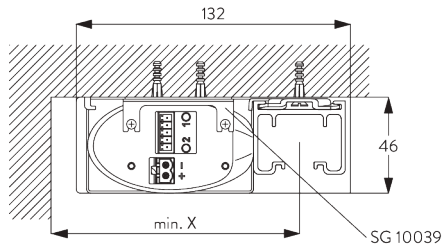
For detailed fitting information, visit the Silent Gliss website.

**Fixing points**



## B. CEILING FITTING

### Clamp SG 3033



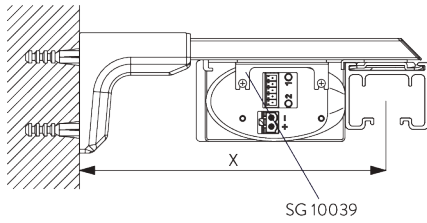
**SG 3033**

Clamp

Min. wall distance louvres	X mm
89 mm	120
127 mm	120
Vertical Waves 89 mm	115
Vertical Waves 125 mm	140

## C. WALL FITTING

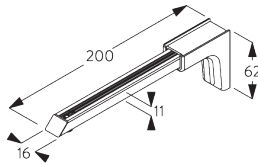
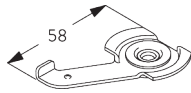
### Smart Fix



#### Universal Smart Fix SG 11156 and clamp SG 3033 / SG 3044

Screw SG 11158 (M4x12) needed.

Smart Fix	X mm
SG 11156	182-210
Min. wall distance louvres	
89 mm	150
127 mm	150
Vertical Waves 89 mm	115
Vertical Waves 125 mm	140



**SG 3033**

Clamp

**SG 11156**

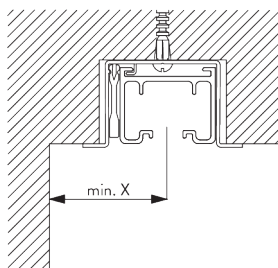
Universal Smart Fix 200 mm

**SG 11158**

Countersunk head screw  
M4x12

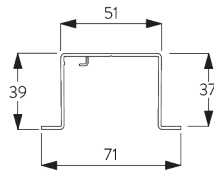
## D. RECESS FITTING

### Recess profile SG 2932

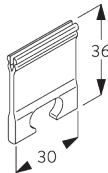


Recess profile SG 2932 can not be bent!  
Larger recess for motor is necessary!  
One wedge SG 2941 per fixing point.  
For detailed recess fitting, visit the Silent Gliss website.

Min. wall distance louvres	X mm
89 mm	65
127 mm	85
Vertical Waves 89 mm	115
Vertical Waves 125 mm	140

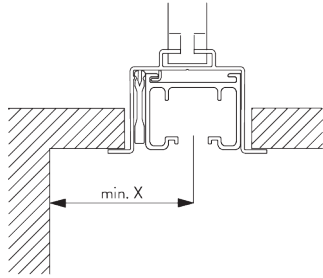


**SG 2932**  
Recess profile



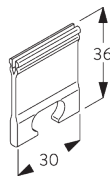
**SG 2941**  
Wedge

**Suspended ceiling  
with recess profile  
SG 2948 / hanger  
SG 6268**

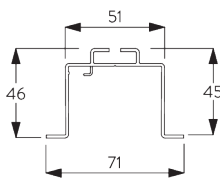


*Recess profile SG 2948 can not be bent!  
Larger recess for motor is necessary!  
One wedge SG 2941 per fixing point.  
For detailed recess fitting, visit the Silent Gliss website.*

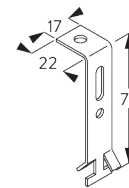
<i>Min. wall distance louvres</i>	<i>X mm</i>
89 mm	65
127 mm	85
Vertical Waves 89 mm	115
Vertical Waves 125 mm	140



**SG 2941**  
Wedge



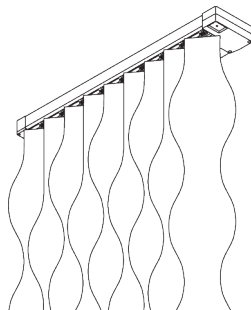
**SG 2948**  
Recess profile

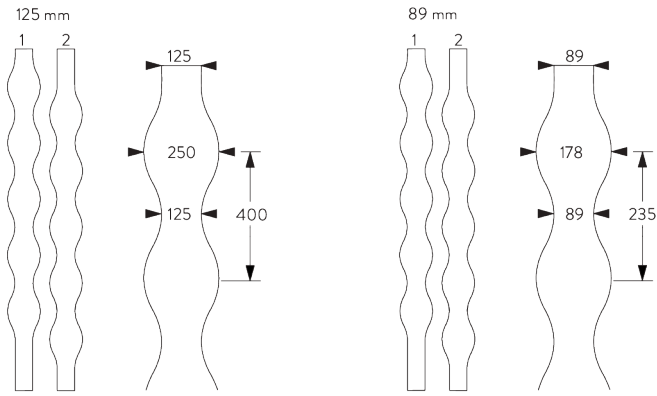


**SG 6268**  
Hanger

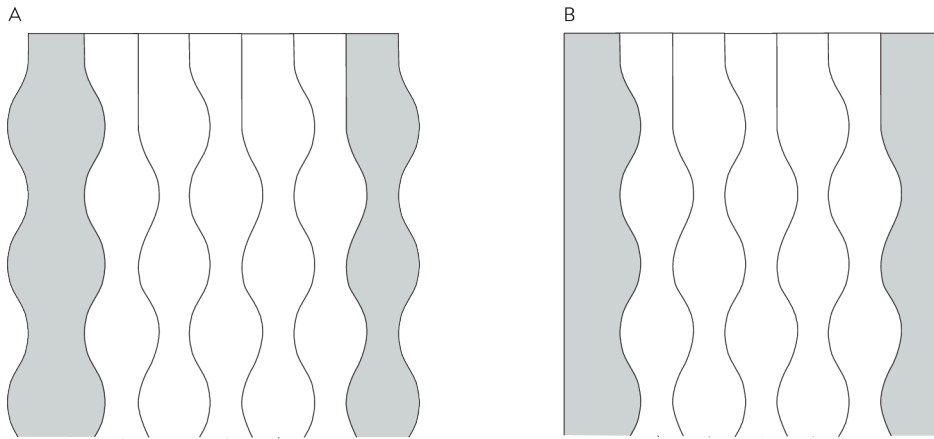
# SYSTEM OPTIONS

**A. VERTICAL WAVES**



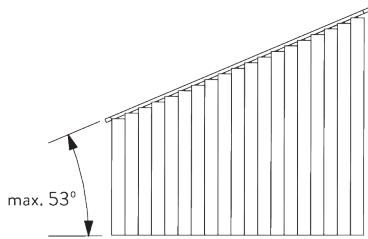


3D Vertical Waves only applicable with 125 mm louvres.



Wall ending  
 A: Wavy edge  
 B: Straight edge

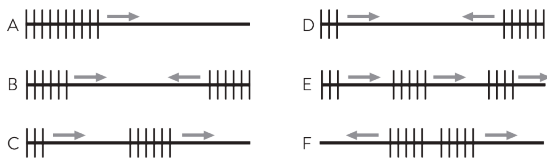
**B. SLOPING WINDOWS**



Maximum slope depends on louvre widths:  
 - 45° with 127 mm louvres  
 - 53° with 89 mm louvres

Not suitable with system option Vertical Waves.  
 Both the stack and the motor need to be at the top of the slope.

**C. STACKING VARIATIONS**



A: Single stack in one direction  
 B: Pair stack in two directions symmetrical  
 C: Pair stack in one direction asymmetrical  
 D: Pair stack in two directions asymmetrical  
 E: Multiple stacking in one direction symmetrical or asymmetrical  
 F: Centre stack

# MOTORS & CONTROLS

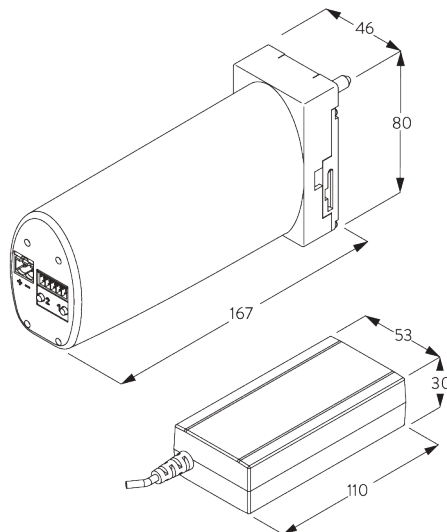
## A. MOTOR FEATURES

Motors	SG 9090	SG 9091
<b>Motor Features</b>		
Soft start / stop	●	●
Built-in receiver		●
Electronic end-stop	●	●
Electronic revolution counter (unlimited revolution)	●	●
IP class	IP 40	IP 40
<b>Control Features</b>		
Dry contact control	●	●
Dry contact and / or SG Control L		●
Dry contact and / or SG Control R		●
SG Control L (built-in receiver)		●
SG Control R (built-in receiver)		●
Suitable for most major home automation systems (with suitable interface)	●	●

## B. MOTOR SPECIFICATIONS

Motors	Voltage	Current	System speed / sec	Frequency receiver
SG 9090	24 V DC	1.8 A	10 cm / sec	n/a
SG 9091	24 V DC	1.8 A	10 cm / sec	433/868/915 MHz

## C. MOTOR DIMENSIONS



Motors SG 9090 / SG 9091 DC (24 V)

Power supply SG 11425 needed to operate the motors.

## D. OPERATING METHODS

See catalogue "controls" for details.

Wall Switch



System can be operated by fixed wall switch.

SG Control L



Various radio hand-held and wall transmitters available.



Silent Gliss Move App.

SG Control R



Various radio hand-held and wall transmitters available.

**E. WIRING**  
**DIAGRAMS**

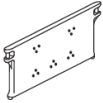

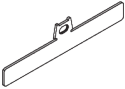
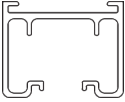



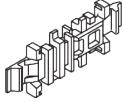
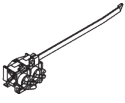
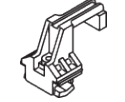
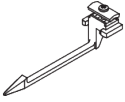

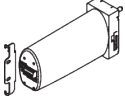
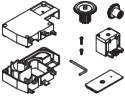


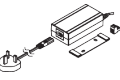
Refer to Silent Gliss website.



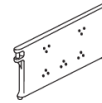

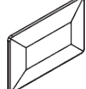
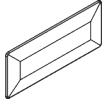
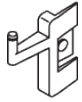



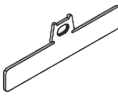



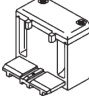
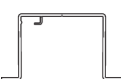
# PARTS

## A. STANDARD PARTS

	<b>SG 2471</b> Bottom weight 127 mm
	<b>SG 2479</b> Bottom link 127 mm
	<b>SG 2605</b> Top clip 127 mm
	<b>SG 2901</b> Profile
	<b>SG 2912</b> Toothed chain
	<b>SG 2916</b> Rotation element set 127 mm / 5"
	<b>SG 2917</b> Rotation element set 100 mm / 4"
	<b>SG 2925</b> Chain connector
	<b>SG 2927</b> Pilot runner
	<b>SG 2949</b> End stop
	<b>SG 2982</b> End stop
	<b>SG 3033</b> Clamp
	<b>SG 9090</b> Motor 24V DC
	<b>SG 9119</b> Gear drive set

	<b>SG 11425</b> Power supply 24V / 2A including cable with UK plug
---	---

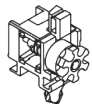
## B. OPTIONAL PARTS

	<b>SG 2473</b> Bottom weight 89 mm
	<b>SG 2481</b> Bottom link 89 mm
	<b>SG 2671</b> Bottom weight 89 mm
	<b>SG 2672</b> Bottom weight 127 mm
	<b>SG 2735</b> Holder
	<b>SG 2775</b> Sloping window distance part
	<b>SG 2776</b> Sloping window distance part
	<b>SG 2793</b> Sloping window distance part
	<b>SG 2813</b> Top clip 89 mm
	<b>SG 2849</b> Louvre clip
	<b>SG 2918</b> Rotation element set 89 mm / 3.5"
	<b>SG 2919</b> Rotation element set 80 mm / 3"
	<b>SG 2930</b> Guide return
	<b>SG 2932</b> Recess profile



**SG 2937**

Safety device



**SG 2975**

Pilot runner sloping window



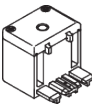
**SG 20913**

Wall switch single channel



**SG 2941**

Wedge



**SG 2977**

Guide return



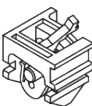
**SG 20914**

Wall switch 8 channel



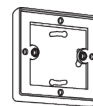
**SG 2944**

Limit stop



**SG 2979**

Brake sloping window



**SG 20917**

Patress box



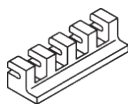
**SG 2945**

Limit stop



**SG 2989**

Connector



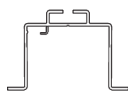
**SG 2946**

Limit stop



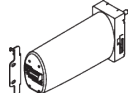
**SG 6268**

Hanger



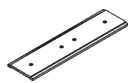
**SG 2948**

Recess profile



**SG 9091**

Motor 24V DC, radio receiver



**SG 2962**

Connection bridge



**SG 10300**

Radio hand held 1 channel



**SG 2966**

Spacer



**SG 10302**

Radio hand held 5+1 channel



**SG 2967**

Spacer



**SG 10303**

Radio hand held 10+2+1 channel



**SG 2968**

Spacer



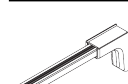
**SG 10804**

Radio hand held 15+5+1 channel



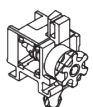
**SG 2969**

Spacer



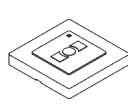
**SG 11156**

Universal Smart Fix 200 mm



**SG 2971**

Rotation element sloping window



**SG 11480**

Radio wall transmitter 1 channel



**SG 2972**

Spacer



**SG 11490**

Radio wall transmitter 5+1 channel



**SG 2973**

Spacer



**SG 20336**

Hand held transmitter 8 channel

[www.bradingsfabrication.com](http://www.bradingsfabrication.com)

Brading Fabrication Limited  
1885 Clements Road, Unit 228  
Pickering, ON, Canada  
L1W 3V4

Tel: 1-800-483-5550

[info@bradingsfabrication.com](mailto:info@bradingsfabrication.com)