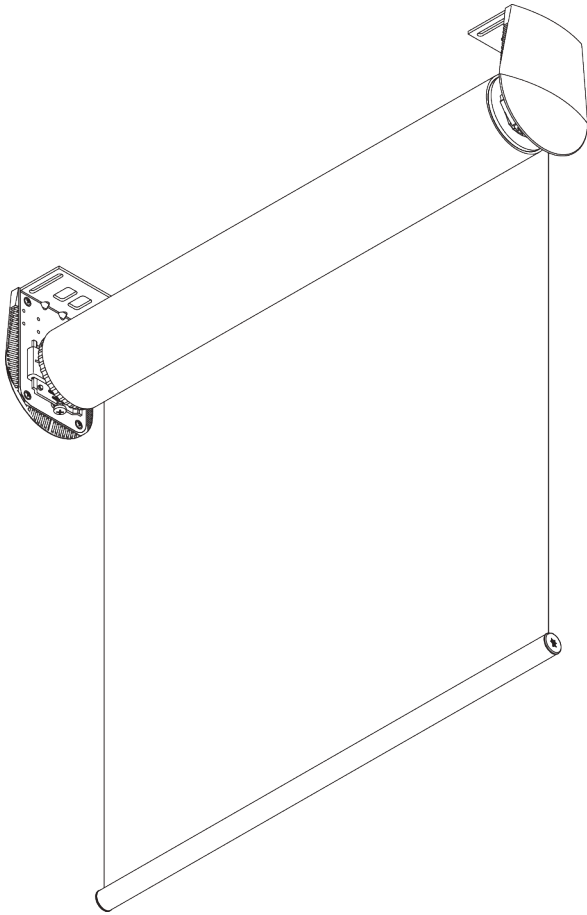
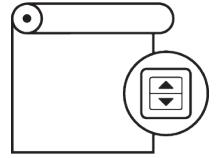


SG 4880



PRODUCT INFORMATION

- **Operation:** motorised
- **Range:** L
- **Fitting:** ceiling, wall, recess
- **Colours:** white RAL 9016; special colours or anodised aluminum possible
- **Fabrics:** refer to Silent Gliss fabric collection

Features:

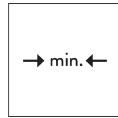
- Quiet and fast motors
- Soft stop
- Various control options
- Stainless steel brackets, adjustable for vertical alignment of fabric

SYSTEM SPECIFICATIONS

A. SYSTEM DIMENSIONS



Tube SG 4957: 5 m
Tube SG 4901: 4 m



72 cm*
*see motor specification table



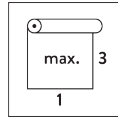
Tube SG 4957: 9 m
Tube SG 4901: 12 m



36 m²



23 kg



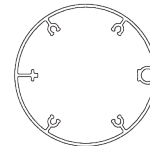
Recommended width /
height ratio
max. 1:3

Maximum surface area

B ↓	A →								
	2 m	2.5 m	3 m	3.5 m	4 m	4.5 m	5 m		
2 m	●	●	●	●	○	○	○		
2.5 m	●	●	●	●	○	○	○		
3 m	●	●	●	●	○	○	○		
3.5 m	●	●	●	●	○	○	○		
4 m	●	●	●	●	○	○	○		
4.5 m	●	●	●	●	○	○	○		
5 m	●	●	●	●	○	○	○		
5.5 m	●	●	●	●	○	○	○		
6 m	●	●	●	●	○	○	○		
6.5 m	●	●	●	●	○	○	○		
7 m	●	●	●	●	○	○	○		
7.5 m	●	●	●	●	○	○			
8 m	●	●	●	●	○	○			
8.5 m	●	●	●	●	○				
9 m	●	●	●	●	○				
9.5 m	●	●	●	●					
10 m	●	●	●	●					
10.5 m	●	●	●						
11 m	●	●	●						
11.5 m	●	●	●	max. 36 m ²					
12 m	●	●	●						



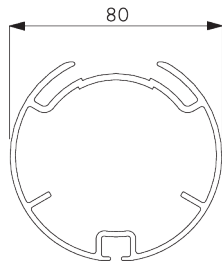
● SG 4901 (ø 80 mm)



○ SG 4957 (ø 110 mm)

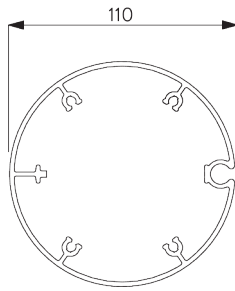
B. PROFILE

Profile information



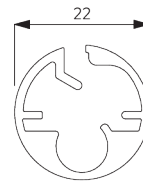
SG 4901

Tube ø 80 mm



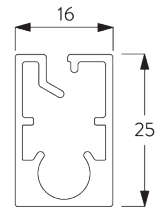
SG 4957

Tube ø 110 mm



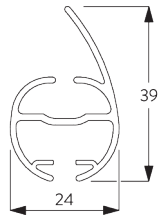
SG 10760

Bottom bar



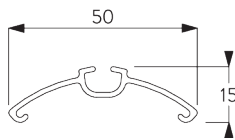
SG 10770

Bottom bar



SG 4903

Bottom bar

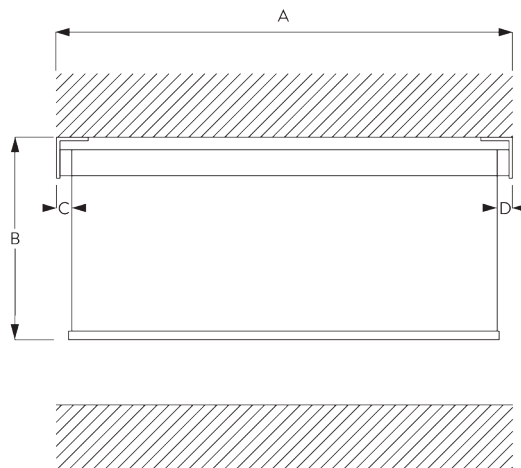


SG 4902

Profile

C. HOW TO MEASURE

incl. bracket covers
(15 mm)



A: System width

B: System height

Tube SG 4901 (ø 80 mm):

C: Light gap: 44 mm

D: Light gap operation side: 50 mm

Tube SG 4957 (ø 110 mm):

C: Light gap: 42 mm

D: Light gap operation side: 52 mm

Note:

Different light gaps see motor specifications.

All measurements include 15 mm for bracket cover per side!

D. SPECIFICATION

TEXT

Silent Gliss SG 4880 Electrically Operated Roller Blind with Smart by Silent Gliss enabled motor. Roller blind system for heavy and large size blind applications up to 5m wide. Supplied made to measure and complete comprising anodised aluminium barrel SG 4901 (80mm tube) / SG 4957 (110mm tube) and stainless steel bracket combination set SG 4949. Fix to wall / ceiling / inside recess. Incorporating Silent Gliss patented Quick Twist SG 4902 profile for easy on-site adjustment of the fabric roll up (80mm tube only). Assembled with powder coated white finish aluminium bottom weight bar SG 10760. Integral 24V DC powered Smart by Silent Gliss motor left/right side. Operation only via Silent Gliss Smart Gateway and associated components in conjunction with compatible third-party control systems. All wiring to be strictly in accordance with Silent Gliss wiring diagrams. Fabric to be chosen from the Silent Gliss fabric range, Price Group 1R / 2R / 3R.

Silent Gliss SG 4880 Electrically Operated Roller Blind System with SG Series 40 motor. Roller blind system for heavy and large size blind applications up to 5m wide. Supplied made to measure and complete comprising anodised aluminium barrel SG 4901 (80mm tube) / SG 4957 (110mm tube) and stainless steel bracket combination set SG 4949. Fix to wall / ceiling / inside recess. Incorporating Silent Gliss patented Quick Twist SG 4902 profile for easy on-site adjustment of the fabric roll up (80mm tube only). Assembled with powder coated white finish aluminium bottom weight bar SG 10760. Integral 24V DC (transformer not included) / 100-240 V AC 50/60Hz motor SG 11248 / SG 11249. Operation by dry contact switching either from fixed switch (not supplied) or third-party control system and / or Silent Gliss SG 9940 radio control system via integrated receiver. SG 9940 control components supplied at additional cost. All wiring to be strictly in accordance with Silent Gliss wiring diagrams. Fabric to be chosen from the Silent Gliss fabric range, Price Group 1R / 2R / 3R.

Silent Gliss SG 4880 Electrically Operated Roller Blind System with SG Series 20 motor. Roller blind system for heavy and large size blind applications up to 5m wide. Supplied made to measure and complete comprising anodised aluminium barrel SG 4901 (80mm tube) / SG 4957 (110mm tube) and stainless steel bracket combination set SG 4949. Fix to wall / ceiling / inside recess. Incorporating Silent Gliss patented Quick Twist SG 4902 for easy on-site adjustment of the fabric roll up (80mm tube only). Assembled with powder coated white finish aluminium bottom weight bar SG 10760. Integral 230v 50 Hz powered motor SG 10326. Operation by mains switch (not supplied) / mains switching by third party control system / SG 0450 remote control system / SG 0450 remote control system Wireless controls at extra cost. All wiring to be strictly in accordance with Silent Gliss wiring diagrams. Fabric to be chosen from the Silent Gliss fabric range, Price Group 1R / 2R / 3R.

FITTING

A. FITTING INFORMATION

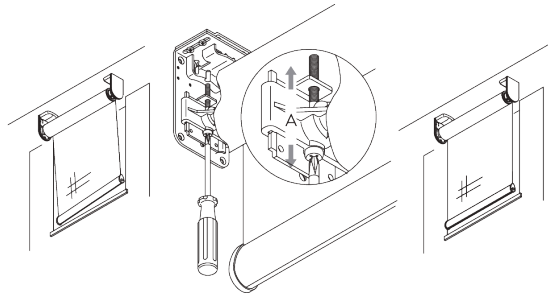
Fixing points

For detailed fitting information, visit the Silent Gliss website.



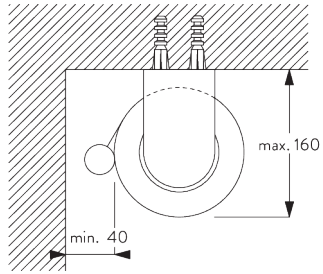
*30 mm without cover
*43 mm with cover

Adjustable brackets (for vertical adjustments)

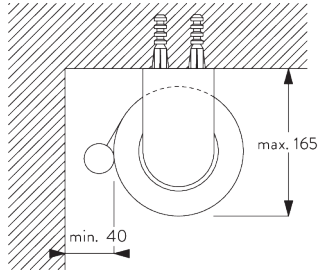


Vertical adjustment of fabric to the window frame.

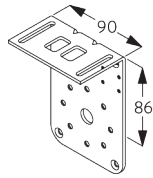
B. CEILING FITTING



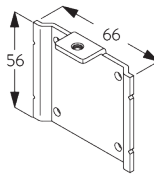
Tube SG 4901 (ø 80 mm)



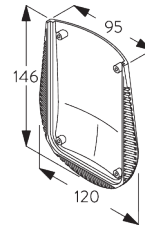
Tube SG 4957 (ø 110 mm)



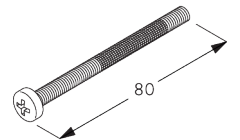
SG 4904
Bracket (set SG 4949)



SG 4906
Plate (set SG 4949)

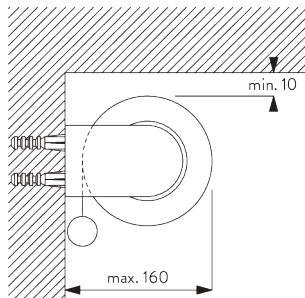


SG 4956
Bracket cover

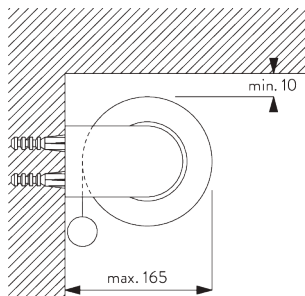


SG 4966
Special screw (set SG 4949)

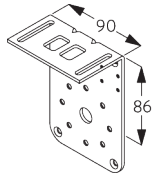
C. WALL FITTING



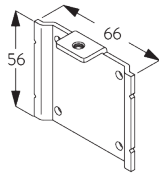
Tube SG 4901 (ø 80 mm)



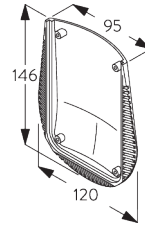
Tube SG 4957 (ø 110 mm)



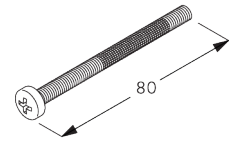
SG 4904
Bracket (set SG 4949)



SG 4906
Plate (set SG 4949)

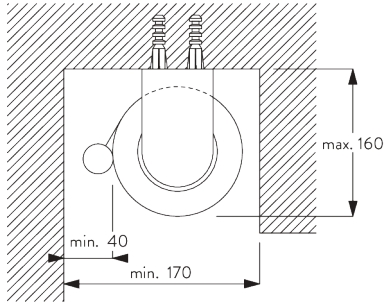


SG 4956
Bracket cover

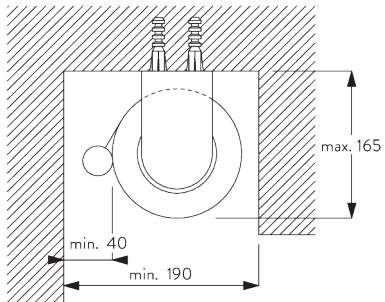


SG 4966
Special screw (set SG 4949)

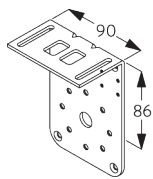
D. RECESS FITTING



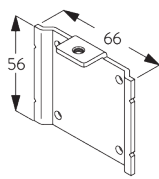
Tube SG 4901 (ø 80 mm)



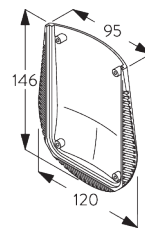
Tube SG 4957 (ø 110 mm)



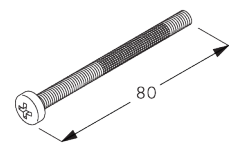
SG 4904
Bracket (set SG 4949)



SG 4906
Plate (set SG 4949)

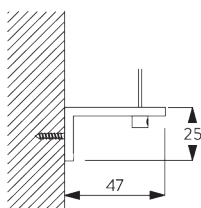


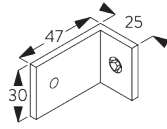
SG 4956
Bracket cover



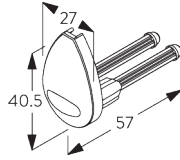
SG 4966
Special screw (set SG 4949)

E. FITTING WITH SIDE GUIDE OPTION

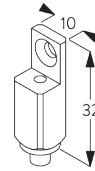




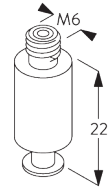
SG 3036
Bracket 47 mm



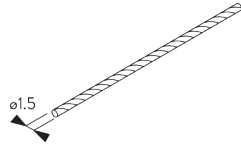
SG 4944
Side guide end cover



SG 4946
Side guide wire rope fastener



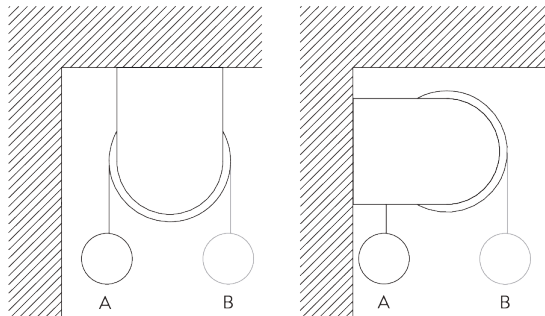
SG 4947
Side guide wire rope fastener



SG 4948
Side guide wire \varnothing 1.5 mm

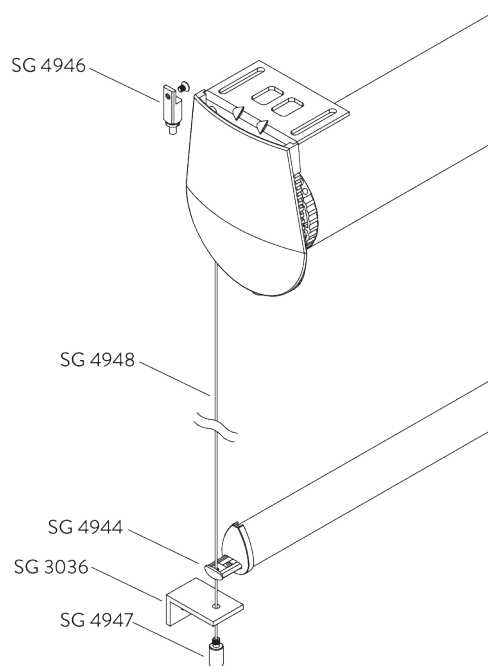
SYSTEM OPTIONS

A. FABRIC ROLL-OFF



A: Fabric roll-off window side (standard)
B: Fabric roll-off room side (option)

B. SIDE GUIDES



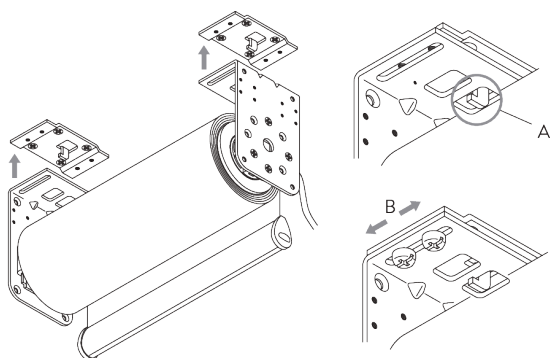
Additional parts:

- 2x SG 3036 Bracket 47 mm
- 2x SG 4944 Side guide end cover
- 2x SG 4946 Side guide wire rope fastener
- 2x SG 4947 Side guide wire rope fastener
- 2x SG 4948 Side guide wire \varnothing 1.5 mm

Note:

- Light gaps increase when side-guide option is used
- Up to 15° from vertical

C. HOOK-IN INSTALLATION PLATES



A: Hook-in plates SG 4972 take the weight of the blind
B: Brackets sideways adjustable by up to 18 mm.

MOTORS & CONTROLS

A. MOTOR FEATURES

	50-Series	40-Series	20-Series
Motors	SG 11255	SG 11248 SG 11249	SG 10326 SG 10428

Motor Features

Soft stop	●	●	●
Electronic end-stop	●	●	●
Electronic revolution counter (unlimited revolution)	●	●	●
Two intermediate positions possible		●	
Bottom bar alignment	●	●	
Noiseless stop			●
Parallel wiring possible without additional relays		●	●
Disconnectable motor cable	●	●	●
IP class	IP 30	IP 30	IP 44

Control Features

Mains power control			●
Dry contact control		●	
Dry contact and / or SG Control L control		●	
SG Control L (built-in receiver)		●	
SG Control R (external receiver required)			●
Smart by Silent Gliss	●		
Suitable for most major home automation systems (with suitable interface)		●	●

B. MOTOR SPECIFICATIONS

Tube SG 4901

Motors	Light gaps C / D = driving side	Min. system width	Voltage	Current	Frequency	Speed	Frequency receiver
--------	------------------------------------	----------------------	---------	---------	-----------	-------	-----------------------

50-Series (Smart by Silent Gliss)

SG 11255	C: 44 mm / D: 51 mm	74 cm	24 V DC	2.95 A	n/a	20 rpm	n/a
----------	---------------------	-------	---------	--------	-----	--------	-----

40-Series

SG 11248	C: 44 mm / D: 51 mm	74 cm	100-240 V AC	1.1 A	50-60 Hz	20 rpm	868 MHz
SG 11249	C: 44 mm / D: 51 mm	74 cm	24 V DC	3 A	n/a	20 rpm	868 MHz

20-Series

SG 10326 (standard)	C: 44 mm / D: 50 mm	72 cm	230 V AC	0.9 A	50 Hz	23 rpm	n/a
SG 10428	C: 44 mm / D: 50 mm	72 cm	120 V AC	1.75 A	50 Hz	17 rpm	n/a

Tube SG 4957

Motors	Light gaps C / D = driving side	Min. system width	Voltage	Current	Frequency	Speed	Frequency receiver
50-Series (Smart by Silent Gliss)							
SG 11255	C: 42 mm / D: 54 mm	74 cm	24 V DC	2.95 A	n/a	20 rpm	n/a
40-Series							
SG 11248	C: 42 mm / D: 54 mm	74 cm	100-240 V AC	1.1 A	50-60 Hz	20 rpm	868 MHz
SG 11249	C: 42 mm / D: 54 mm	74 cm	24 V DC	3 A	n/a	20 rpm	868 MHz
20-Series							
SG 10326 (standard)	C: 42 mm / D: 52 mm	73 cm	230 V AC	0.9 A	50 Hz	23 rpm	n/a
SG 10428	C: 42 mm / D: 52 mm	73 cm	120 V AC	1.75 A	50 Hz	17 rpm	n/a

**C. OPERATING
METHODS**

See catalogue "controls" for details.

Wall Switch



System can be operated by fixed wall switch.

SG Control L



Various radio hand-held and wall transmitters available.



Silent Gliss Move App.

SG Control R



Various radio hand-held and wall transmitters available.
An external receiver is required.

Smart by Silent Gliss



Open designed two-way communication system which allows to flawlessly integrate products with most major home control systems.


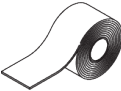


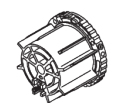
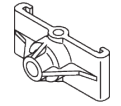

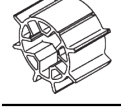
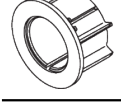
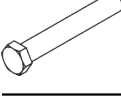
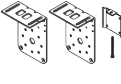

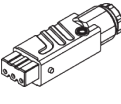
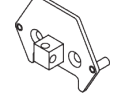
**D. WIRING
DIAGRAMS**

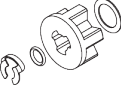

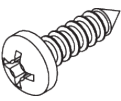
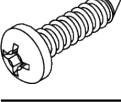
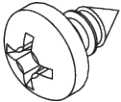
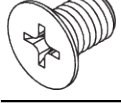




Refer to Silent Gliss website.

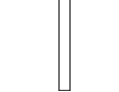
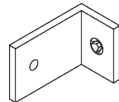
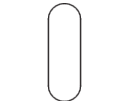

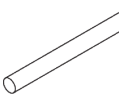
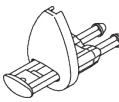
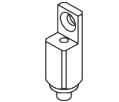


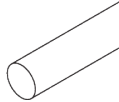
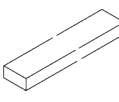

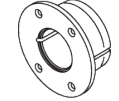
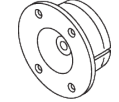
PARTS


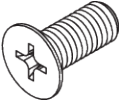
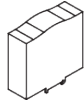
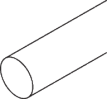
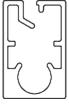
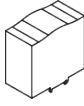
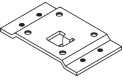

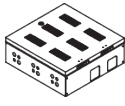
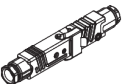
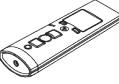
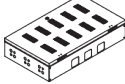
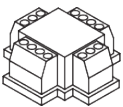

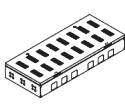
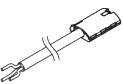



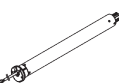










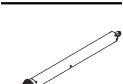

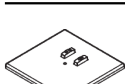



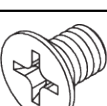
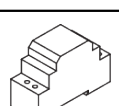
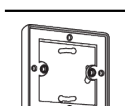
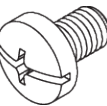
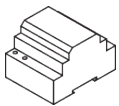
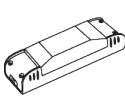
A. STANDARD PARTS

	SG 4223 PVC strip 14 mm
	SG 4226 Double tape 30 mm
	SG 4901 Tube ø 80 mm
	SG 4902 Profile
	SG 4914 Tube adapter
	SG 4915 Support
	SG 4926 Motor flange
	SG 4927 Motor drive
	SG 4928 Tube adapter
	SG 4939 Shaft
	SG 4949 Bracket set
	SG 4956 Bracket cover
	SG 9917 Hirschmann portable socket-outlet STAK 3 N
	SG 10285 Motor plate M

	SG 10292 Motor drive set
	SG 10326 Tubular motor 230V AC, 20 Series 15/23
	SG 10503 Pan head screw 3.5x13
	SG 10506 Pan head screw 3.9x16
	SG 10507 Pan head screw 3.5x6.5
	SG 10509 Countersunk head screw M5x8
	SG 10760 Bottom bar
	SG 10761 End cover

B. OPTIONAL PARTS

	SG 2006 Bottom bar 28x3 mm
	SG 3036 Bracket 47 mm
	SG 4752 Bottom bar plastic
	SG 4903 Bottom bar
	SG 4943 Rod ø 4 mm
	SG 4944 Side guide end cover
	SG 4946 Side guide wire rope fastener
	SG 4947 Side guide wire rope fastener
	SG 4948 Side guide wire ø 1.5 mm
	SG 4951 Bottom weight ø 8 mm
	SG 4952 Bar weight
	SG 4957 Tube ø 110 mm
	SG 4959 Tube adapter
	SG 4961 Tube adapter

	SG 4962 Motor drive		SG 10508 Countersunk head screw M5x12		SG 11265 Power supply 24V DC, 5A DIN Rail
	SG 4963 Rod ø 6 mm		SG 10770 Bottom bar		SG 11266 Power supply 24V DC, 10A DIN Rail
	SG 4972 Installation plate		SG 10771 End cover		SG 11281 Cabinet for 8 systems
	SG 9916 Hirschmann plug set		SG 10804 Radio hand held 15+5+1 channel		SG 11282 Cabinet for 24 systems
	SG 9959 Central control unit relay		SG 11178 End cover		SG 11283 Cabinet for 56 systems
	SG 10293 Cable 230V AC, 2/3/5/10 m		SG 11248 Tubular motor 100-240V AC, 40-Series 10/20, radio receiver		SG 11319 Plug 4-pin, MC 1.5/4-ST-3.81
	SG 10300 Radio hand held 1 channel		SG 11249 Tubular motor 24V DC, 40-Series 10/20		SG 11321 Motor drive
	SG 10302 Radio hand held 5+1 channel		SG 11255 Motor 24V DC, 50-Series 10/20		SG 11480 Radio wall transmitter 1 channel
	SG 10303 Radio hand held 10+2+1 channel		SG 11259 Motor plate M		SG 11490 Radio wall transmitter 5+1 channel
	SG 10327 Tubular motor 230V AC, 20 Series 15/23, radio receiver		SG 11260 Smart controller gateway unit		SG 20336 Hand held transmitter 8 channel
	SG 10428 Tubular motor 120V AC, 20 Series 16/17, UL		SG 11261 Smart controller gateway unit KNX		SG 20913 Wall switch single channel
	SG 10429 Tubular motor 120V AC, 20 Series 16/17, UL		SG 11262 Smart controller expansion unit		SG 20914 Wall switch 8 channel
	SG 10502 Countersunk head screw M4x6		SG 11263 Power supply 24V DC, 2.5A DIN Rail		SG 20917 Pattress box
	SG 10504 Pan head screw Freedrive M5x8		SG 11264 Power supply 24V DC, 3.8A DIN Rail		SG 20919 Control module motor type R

www.bradingsfabrication.com

Brading Fabrication Limited
1885 Clements Road, Unit 228
Pickering, ON, Canada
L1W 3V4

Tel: 1-800-483-5550

info@bradingsfabrication.com