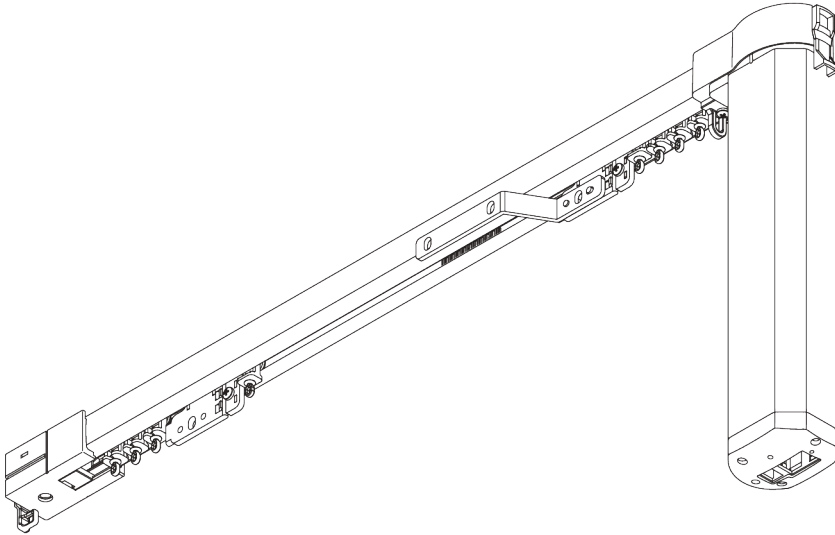
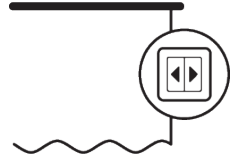


# SG 5100

---



## PRODUCT INFORMATION

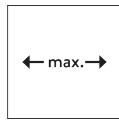
- **Operation:** motorised
- **Range:** S - M
- **Fitting:** ceiling, wall
- **Colours:** white RAL 9016
- **Fabrics:** refer to Silent Gliss fabric collection

### **Features:**

- Wave
- Various control options
- Touch & Go
- Manual override
- Different motor versions
- Bendable

# SYSTEM SPECIFICATIONS

## A. SYSTEM DIMENSIONS



6 m



25 kg

### Max. curtain weights with rollers

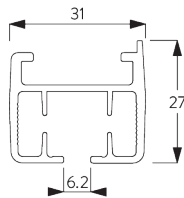
	3 m	6 m
	20	25
	20	25
	20	17
	20	17
	15	13
	15	13
	12	10
	12	10
(kg max.)		

### Max. curtain weights with Wave gliders

	3 m	6 m
	20	20
	20	20
	18	14
	18	14
	12	10
	12	10
	10	9
	10	9
(kg max.)		

## B. PROFILE

### Profile and bending information

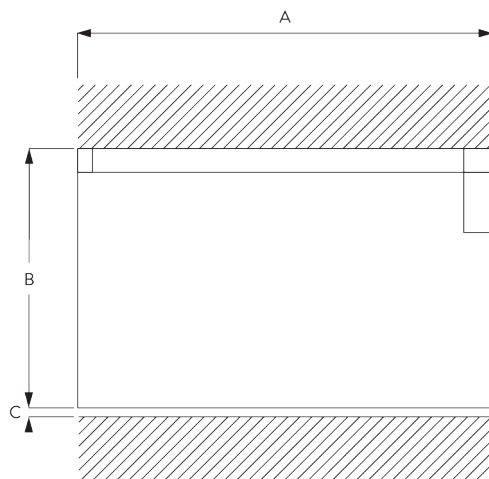


SG 10925

Profile



## C. HOW TO MEASURE



A: System width  
B: System height  
C: Distance between floor and fabric

## D. SPECIFICATION

### TEXT

**Silent Gliss SG 5100 Electrically Operated Curtain Track – Option Base (B).** Comprises electrophoretic coated aluminium profile SG 10925 in white complete and assembled with motor 5190, internal drive belt SG 10825, gliders SG 10931 at 10/m. Ceiling fix with SG 10926 clamps/ face fix with Smart Fix brackets SG 11201-11205 at maximum 500mm centres. Operation via wireless wall switch SG 10949. Silent Gliss Wave option is available using 80mm glider cord SG 10905 / 60mm glider cord SG 10906.

**Silent Gliss SG 5100 Electrically Operated Curtain Track – Option Remote (R).** Comprises electrophoretic coated aluminium profile SG 10925 in white complete and assembled with motor 5190, internal drive belt SG 10823, gliders SG 10931 at 10/m. Ceiling fix with SG 10926 clamps/ face fix with Smart Fix brackets SG 11201-11205 at maximum 500mm centres. Operation via remote wireless control handset SG 10946 and wireless wall switch SG 10949. Silent Gliss Wave option is available using 80mm glider cord SG 10905 / 60mm glider cord SG 10906.

**Silent Gliss SG 5100 Electrically Operated Curtain Track – Option Timer (T).** Comprises electrophoretic coated aluminium profile SG 10925 in white complete and assembled with motor 5190, internal drive belt SG 10825, gliders SG 10931 at 10/m. Ceiling fix with SG 10926 clamps/ face fix with Smart Fix brackets SG 11201-11205 at maximum 500mm centres. Operation via wireless wall switch SG 10949 and wireless timer SG 11429. Silent Gliss Wave option is available using 80mm glider cord SG 10905 / 60mm glider cord SG 10906.

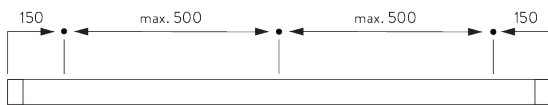
**Silent Gliss SG 5100 Electrically Operated Curtain Track – Option Total Control (TC).** Comprises electrophoretic coated aluminium profile SG 10925 in white complete and assembled with motor 5190, internal drive belt SG 10825, gliders SG 10931 at 10/m. Ceiling fix with SG 10926 clamps / face fix with Smart Fix brackets SG 11201-11205 at maximum 500mm centres. 5100TC combines the remote control SG 10946, Timer unit SG 11429 and fixed manual wall switch SG 10949 to give total control. Operation via wireless remote control handset SG 10946, wireless timer unit SG 11429 and by wireless wall switch SG 10949. Silent Gliss Wave option is available using 80mm glider cord SG 10905 / 60mm glider cord SG 10906.

# FITTING

## A. FITTING INFORMATION

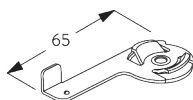
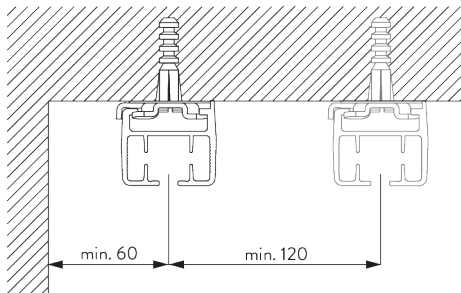
For detailed fitting information, visit the Silent Gliss website.

### Fixing points



## B. CEILING FITTING

### Clamp SG 10926

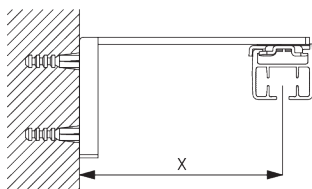


**SG 10926**

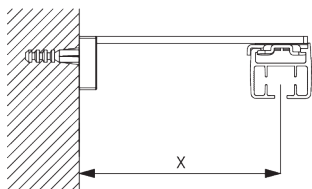
Clamp

## C. WALL FITTING

### Smart Fix

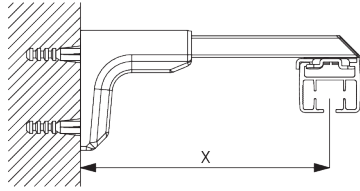


**Smart Fix SG 11201 - SG 11205 and clamp SG 10926:**  
Screw SG 11127 (M4x10) needed.



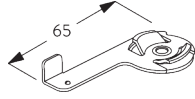
**Square Smart Fix SG 11211 - SG 11215 and clamp SG 10926:**  
Screw SG 11127 (M4x10) needed.

Smart Fix	X mm
SG 11201 / SG 11211	72
SG 11202 / SG 11212	92
SG 11203 / SG 11213	112
SG 11204 / SG 11214	142
SG 11205 / SG 11215	192
SG 11154	102-130
SG 11155	132-160
SG 11156	182-210



**Universal Smart Fix SG 11154 - SG 11156 and clamp SG 10926:**

Screw SG 11158 (M4x12) needed.



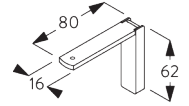
**SG 10926**  
Clamp



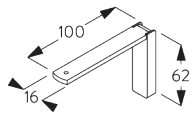
**SG 11127**  
Countersunk head screw  
M4x10



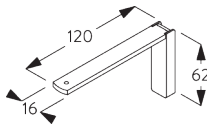
**SG 11158**  
Countersunk head screw  
M4x12



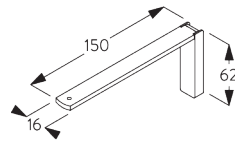
**SG 11201**  
Smart Fix 80 mm



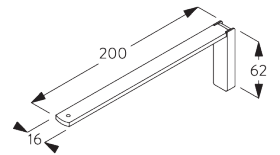
**SG 11202**  
Smart Fix 100 mm



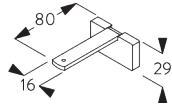
**SG 11203**  
Smart Fix 120 mm



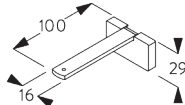
**SG 11204**  
Smart Fix 150 mm



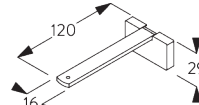
**SG 11205**  
Smart Fix 200 mm



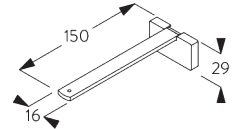
**SG 11211**  
Square Smart Fix 80 mm



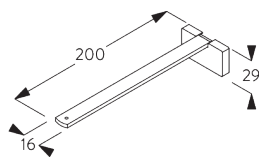
**SG 11212**  
Square Smart Fix 100 mm



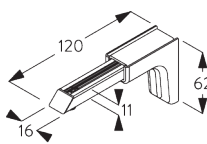
**SG 11213**  
Square Smart Fix 120 mm



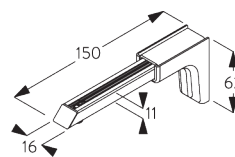
**SG 11214**  
Square Smart Fix 150 mm



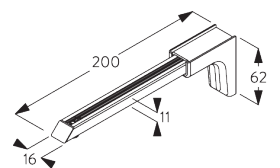
**SG 11215**  
Square Smart Fix 200 mm



**SG 11154**  
Universal Smart Fix 120 mm



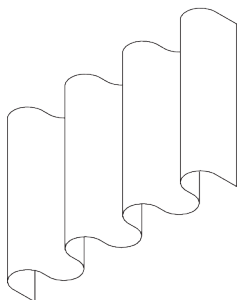
**SG 11155**  
Universal Smart Fix 150 mm



**SG 11156**  
Universal Smart Fix 200 mm

# SYSTEM OPTIONS

## A. WAVE



SG 6365



SG 10854



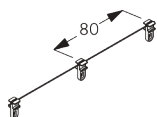
SG 10856



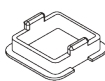
SG 10867



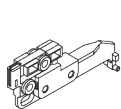
SG 10887



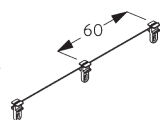
SG 10905



SG 10924



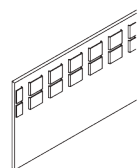
SG 10845



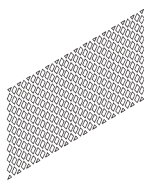
SG 10906



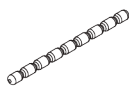
SG 3582



SG 6349



SG 6363



SG 10075



SG 10076

### Standard components:

- SG 6365 Wave hanger
- SG 10854 Wave overlap arm support
- SG 10856 Wave end stop, belt return
- SG 10867 Panhead screw
- SG 10887 Wave overlap arm set
- SG 10905 Wave glider cord 80 mm
- SG 10924 Wave glider support

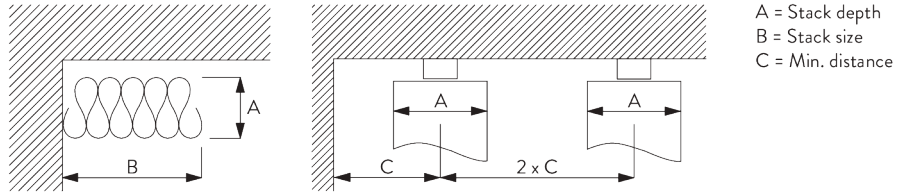
### Optional components:

- SG 10845 Wave master carrier single stack 80 mm
- SG 10906 Wave glider cord 60 mm (no single stack)

### Curtain components:

- SG 3582 Hook
- SG 6349 Wave curtain tape
- SG 6363 Wave top hemming tape
- SG 10075 Lead weight 50 gr/m
- SG 10076 Fabric weight

Wave stack depth - glider cord (standard components)



Glider cord SG 10905	Pockets between hooks	Approx. curtain fullness	Stack depth A	Stack size B*	Min distance C
80	6	~2.1	140	180 per metre of track	90
80	7	~2.3	160	180 per metre of track	100

Glider cord SG 10906	Pockets between hooks	Approx. curtain fullness	Stack depth A	Stack size B*	Min distance C
60	4	~2.1	100	230 per metre of track	70
60	5	~2.3	120	230 per metre of track	80

\*Stack size B plus 180 mm for each curtain stack!

# MOTORS & CONTROLS

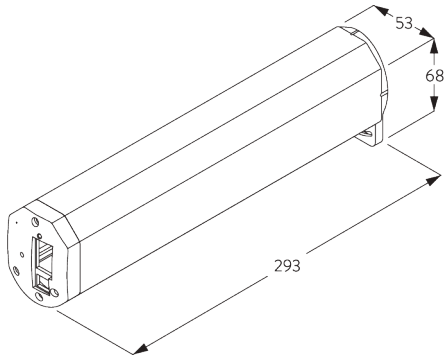
## A. MOTOR FEATURES

Motors	SG 5190	SG 5192	SG 5193
<b>Motor Features</b>			
Soft start / stop	●	●	●
Touch & Go	●	●	
Manual Override	●	●	●
Built-in receiver	●	●	
Electronic end-stop	●	●	●
Electronic revolution counter (unlimited revolution)	●	●	●
Parallel wiring possible without additional relays	●	●	●
Cable connectable with plug into motor		●	
IP class	IP 20	IP 20	IP 20
<b>Control Features</b>			
Mains power control			●
Dry contact control	●	●	
Dry contact and / or SG Control A	●	●	
SG Control A	●	●	
Suitable for all common home automation systems (with suitable interface)	●	●	●

**B. MOTOR**  
**SPECIFICATIONS**

Motors	Motor dimensions	Voltage	Current	Frequency	System speed / sec	Frequency receiver
SG 5190	L 293 x W 53 x D 68	100 - 240 V AC	0.8 - 0.4 A	50 / 60 Hz	15 cm / sec	433 MHz
SG 5192	L 293 x W 53 x D 68	24 V DC	3.5 A	n/a	15 cm / sec	433 MHz
SG 5193	L 293 x W 53 x D 68	100 - 240 V AC	0.8 - 0.4 A	50 / 60 Hz	15 cm / sec	n/a

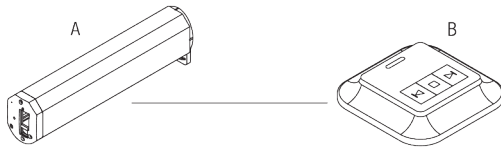
**C. MOTOR**  
**DIMENSIONS**



**D. OPERATING**  
**METHODS**

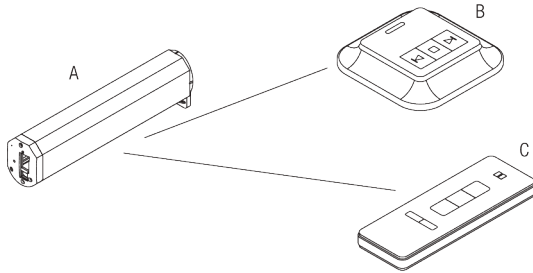
See catalogue "controls" for details.

**5100B - Base**



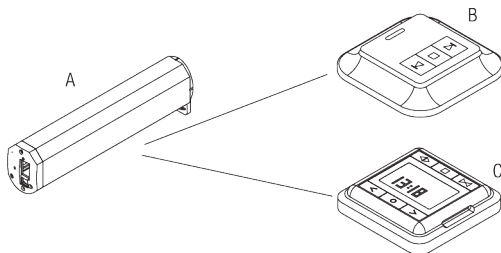
A: Motor SG 5190  
B: Wall Switch SG 10949

**5100R - Remote**



A: Motor SG 5190  
B: Wall Switch SG 10949  
C: Handset SG 10946

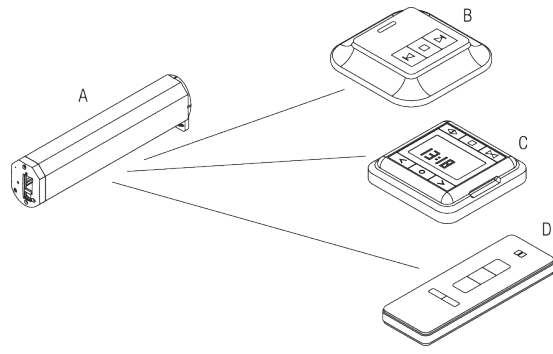
**5100T - Timer Unit**



A: Motor SG 5190  
B: Wall Switch SG 10949  
C: Timer Unit SG 11429



**5100TC - Total Control**



- A: Motor SG 5190
- B: Wall Switch SG 10949
- C: Timer SG 11429
- D: Handset SG 10946

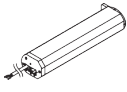
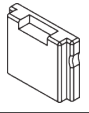
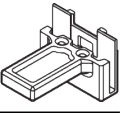
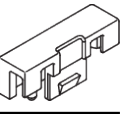
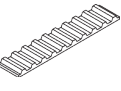
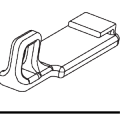
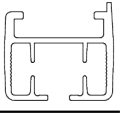


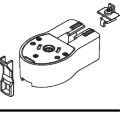

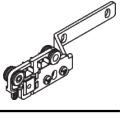
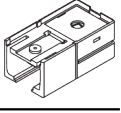

**E. WIRING**  
**DIAGRAMS**



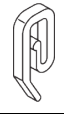
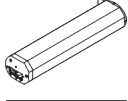
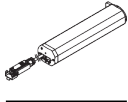


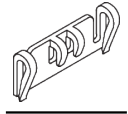
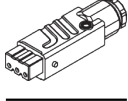
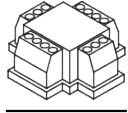

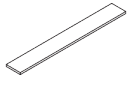
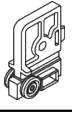
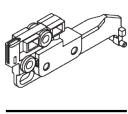
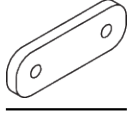
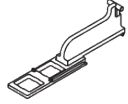
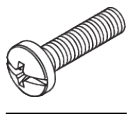
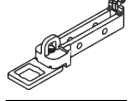
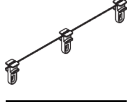
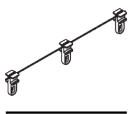
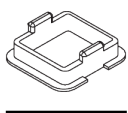
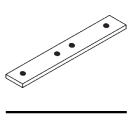
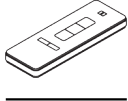
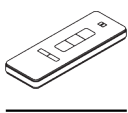
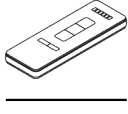
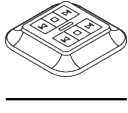
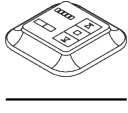
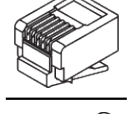
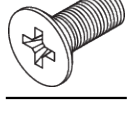
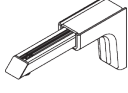
*Refer to Silent Gliss website.*

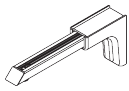
# PARTS

## A. STANDARD PARTS

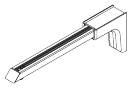
	<b>SG 5190</b> Motor 100-240V AC, 1/130, radio receiver
	<b>SG 10815</b> Cover
	<b>SG 10823</b> Belt connector arm
	<b>SG 10824</b> Belt connector pin
	<b>SG 10825</b> Belt
	<b>SG 10836</b> Mask pair stack
	<b>SG 10925</b> Profile
	<b>SG 10926</b> Clamp
	<b>SG 10931</b> Roller
	<b>SG 10933</b> Gear drive set
	<b>SG 10935</b> Clamp
	<b>SG 10936</b> Overlap arm
	<b>SG 10940</b> Guide return
	<b>SG 10949</b> Radio wall transmitter 1 channel

## B. OPTIONAL PARTS

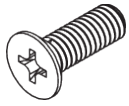
	<b>SG 3582</b> Hook
	<b>SG 5192</b> Motor 24V DC, 1/130, radio receiver
	<b>SG 5193</b> Motor 100-240V AC, 1/130, mains controlled
	<b>SG 6349</b> Wave curtain tape
	<b>SG 6363</b> Wave top hemming tape
	<b>SG 6365</b> Wave hanger
	<b>SG 9917</b> Hirschmann portable socket-outlet STAK 3 N
	<b>SG 9959</b> Central control unit relay
	<b>SG 10075</b> Lead weight 50 g/m
	<b>SG 10076</b> Fabric weight
	<b>SG 10822</b> Master carrier
	<b>SG 10845</b> Wave master carrier
	<b>SG 10854</b> Wave overlap plate
	<b>SG 10856</b> Wave extension
	<b>SG 10867</b> Pan head screw Freedriv M4x16
	<b>SG 10887</b> Wave extension
	<b>SG 10905</b> Wave glider cord 80 mm
	<b>SG 10906</b> Wave glider cord 60 mm
	<b>SG 10924</b> Wave glider support
	<b>SG 10943</b> Connection bridge
	<b>SG 10946</b> Radio hand held 1 channel
	<b>SG 10947</b> Radio hand held 2+1 channel
	<b>SG 10948</b> Radio hand held 6+1 channel
	<b>SG 10950</b> Radio wall transmitter 2 channel
	<b>SG 10951</b> Radio wall transmitter 5+1 channel
	<b>SG 10952</b> Plug for dry contact RJ 12
	<b>SG 11127</b> Countersunk head screw M4x10
	<b>SG 11154</b> Universal Smart Fix 120 mm

**SG 11155**

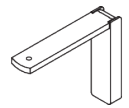
Universal Smart Fix 150 mm

**SG 11156**

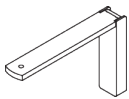
Universal Smart Fix 200 mm

**SG 11158**

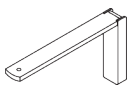
Countersunk head screw M4x12

**SG 11201**

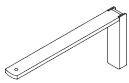
Smart Fix 80 mm

**SG 11202**

Smart Fix 100 mm

**SG 11203**

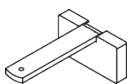
Smart Fix 120 mm

**SG 11204**

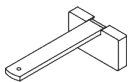
Smart Fix 150 mm

**SG 11205**

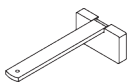
Smart Fix 200 mm

**SG 11211**

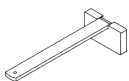
Square Smart Fix 80 mm

**SG 11212**

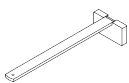
Square Smart Fix 100 mm

**SG 11213**

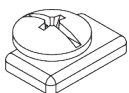
Square Smart Fix 120 mm

**SG 11214**

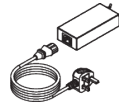
Square Smart Fix 150 mm

**SG 11215**

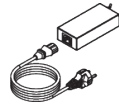
Square Smart Fix 200 mm

**SG 11295**

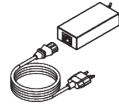
End stop

**SG 11412**

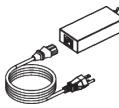
Power supply 24V / 4A lead including cable UK plug

**SG 11414**

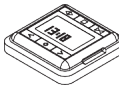
Power supply 24V / 4A including cable EU plug

**SG 11415**

Power supply 24V / 4A including cable CH plug

**SG 11416**

Power supply 24V / 4A including cable US plug

**SG 11429**

Radio timer unit 1 channel

[www.bradingfabrication.com](http://www.bradingfabrication.com)

Brading Fabrication Limited  
1885 Clements Road, Unit 228  
Pickering, ON, Canada  
L1W 3V4

Tel: 1-800-483-5550

[info@bradingfabrication.com](mailto:info@bradingfabrication.com)