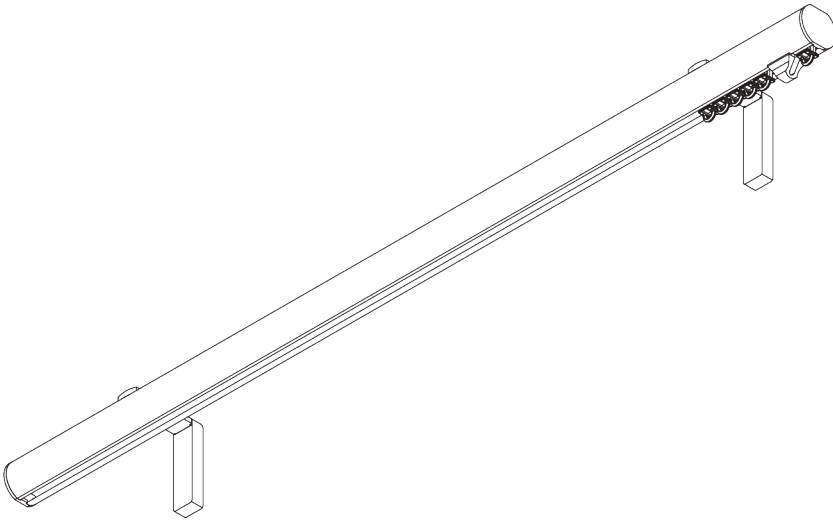
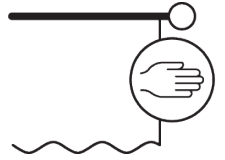


SG 7610



PRODUCT INFORMATION

- **Operation:** hand
- **Range:** S - M
- **Fitting:** ceiling, wall
- **Colours:** white RAL 9016, various colours / finishes
- **Fabrics:** refer to Silent Gliss fabric collection

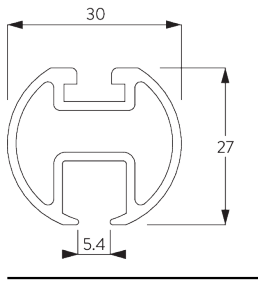
Features:

- 2-component (2C) glider technology
- Wave (2C)
- Matching endcaps and brackets / bracket covers
- Range of decorative finials
- Bendable

SYSTEM SPECIFICATIONS

A. PROFILE

Profile and bending information

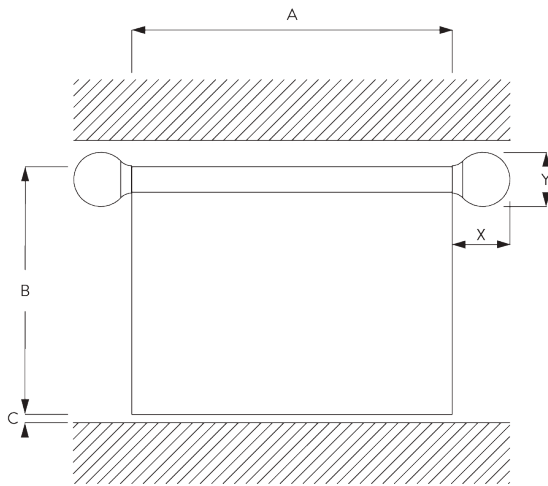


SG 6103p

Profile



B. HOW TO MEASURE



A: System width without finials

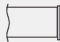
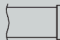







B: System height

C: Distance between floor and fabric

X: Finial width

Y: Finial height

Finial Measurements

		30 mm	
		X	Y
	SG 11603	2	30
	SG 11631	10	34
	SG 11632	18	50
	SG 11743	69	30
	SG 11744	66	50
	SG 11746	64	60
	SG 11747	116	48
	SG 11748	26	90
	SG 11749	20	60

C. SPECIFICATION

TEXT

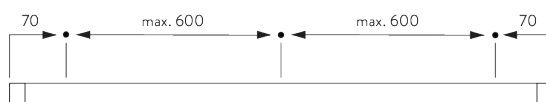
Silent Gliss SG 7610 'Metropole' hand operated curtain track system. Comprises 30 mm aluminium profile SG 6103 supplied made to measure with 2C gliders SG 11300 at 14/m, 2 no. flush end covers SG 11603 and 2 no. end stops SG 6065. Straight poles supplied as standard with wall 'face' fix Smart Fix brackets SG 11206 at max. 600 mm centres. Optional wall fix brackets SG 11207-11208 / SG 11216-11218 / SG 11209 / SG 11472 / Fillet bracket SG 11669. Bent systems for wall 'face' fix supplied as standard with adjustable Smart Fix bracket SG 11209. Ceiling 'top' fix with plate SG 6151 / bracket SG 6175 / SG 11668 at max. 600 mm centres. Finished in Ecru, Bronze, Antique Bronze, Gunmetal, Black, Charcoal, Anodic Grey, Slate Grey, Matt White, White, Sand, Ochre, Chrome Effect, Anodised Silver or Taupe. A range of decorative finials are available (limited range for Silver Anodised and Chrome). Silent Gliss Wave option is available using 60mm glider cord SG 11303 / 80 mm glider cord SG 11302 / 80 mm roller glider cord SG 6099.

FITTING

A. FITTING INFORMATION

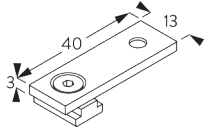
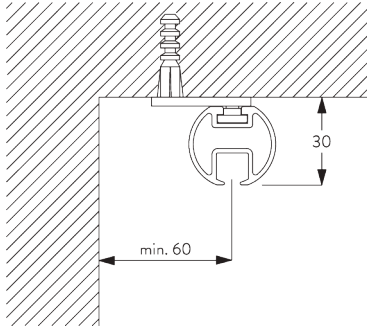
Fixing points

For detailed fitting information, visit the [Silent Gliss website](#).



B. CEILING FITTING

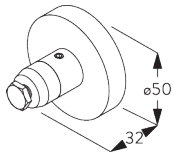
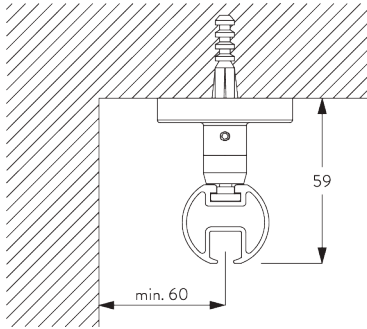
Support SG 6151



SG 6151

Ceiling support set 3 mm

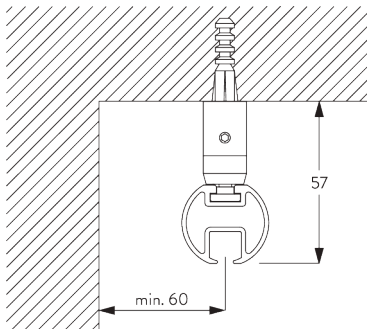
Top fix bracket SG 11668

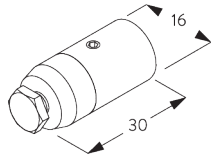


SG 11668

Top fix bracket

Mini hanger SG 6175



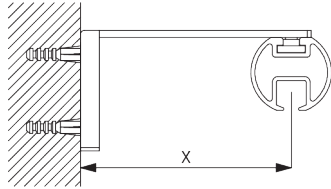


SG 6175

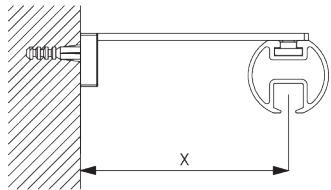
Mini hanger

C. WALL FITTING

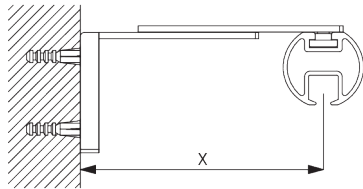
Smart Fix



Smart Fix with slot SG 11206 - SG 11208 and SG 6141:
Screw SG 6783 (M4x10) needed.

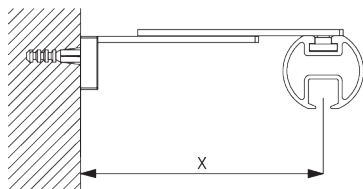


Square Smart Fix with slot SG 11216 - SG 11218 and SG 6141:
Screw SG 6783 (M4x10) needed.



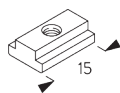
Adjustable Smart Fix SG 11209 and SG 6141:
Screw SG 6784 (M4x8) needed.

Note: all bent Metropole systems are supplied with adjustable bracket SG 11209 as standard.



Adjustable Square Smart Fix SG 11472 and SG 6141:
Screw SG 6784 (M4x8) needed.

Smart Fix	X mm
SG 11206 / SG 11216	51
SG 11207 / SG 11217	71
SG 11208 / SG 11218	91
SG 11209 / SG 11472	80-100



SG 6141

Clamping piece



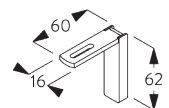
SG 6783

Hexagon socket countersunk screw M4x10 mm



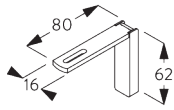
SG 6784

Hexagon socket countersunk screw M4x8 mm



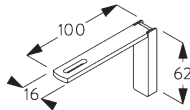
SG 11206

Smart Fix with slot 60 mm



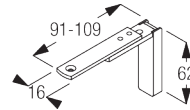
SG 11207

Smart Fix with slot 80 mm



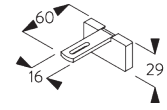
SG 11208

Smart Fix with slot 100 mm



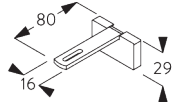
SG 11209

Adjustable Smart Fix



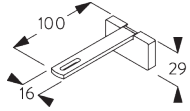
SG 11216

Square Smart Fix with slot 60 mm



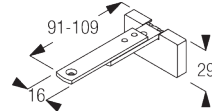
SG 11217

Square Smart Fix with slot 80 mm



SG 11218

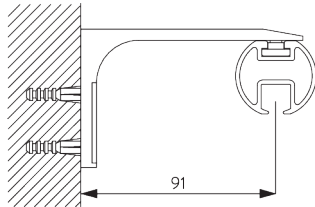
Square Smart Fix with slot 100 mm



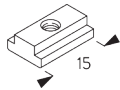
SG 11472

Adjustable Square Smart Fix

Fillet Bracket SG 11669



Screw SG 6784 (M4x8) needed.
Recommended for straight systems only.



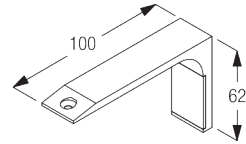
SG 6141

Clamping piece



SG 6784

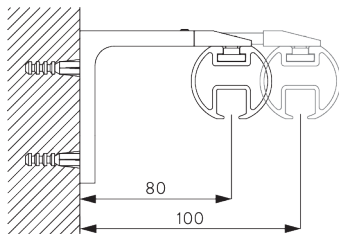
Hexagon socket countersunk screw M4x8 mm



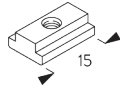
SG 11669

Fillet bracket

Maxi adjustable bracket SG 20334



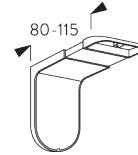
Screw SG 6783 (M4x10) needed.



SG 6141
Clamping piece



SG 6783
Hexagon socket countersunk
screw M4x10 mm



SG 20334
Maxi adjustable bracket

DESIGN & SYSTEM OPTIONS

A. ENDCAPS



SG 11603



SG 11631



SG 11632

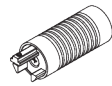
Endcaps:

- SG 11603 Flush endcap 30 mm
- SG 11631 Stud endcap 30 mm
- SG 11632 Design endcap 30 mm

Please note:

- Without finials, poles are supplied as standard with flush fitting endcaps SG 11603 (left).
- Alternatively, stud endcaps SG 11631 can be selected at no additional cost.

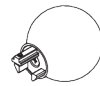
B. FINIALS



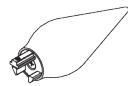
SG 11743



SG 11744



SG 11746



SG 11747



SG 11748

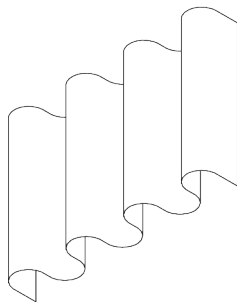


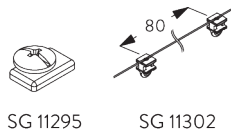
SG 11749

Finials are decorative elements that fit on at the end of the pole:

- SG 11743 Groove cylinder 30 mm
- SG 11744 Glass ball 30 mm
- SG 11746 Ball end 30 mm
- SG 11747 Spear 30 mm
- SG 11748 Ellipse 30 mm
- SG 11749 Taper 30 mm

C. WAVE



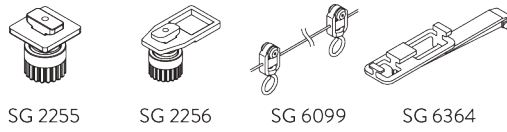


SG 11295

SG 11302

Standard components:

- SG 11295 End stop
- SG 11302 Wave 2C glider cord 80 mm



SG 2255

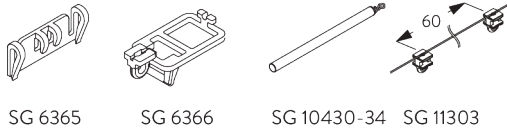
SG 2256

SG 6099

SG 6364

Optional components:

- SG 2255 Brake
- SG 2256 Brake
- SG 6099 Wave roller cord 80 mm
- SG 6364 Wave extension
- SG 6365 Wave hanger
- SG 6366 Wave carrier for draw rod
- SG 10430-34 Draw rod
- SG 11303 Wave 2C glider cord 60 mm



SG 6365

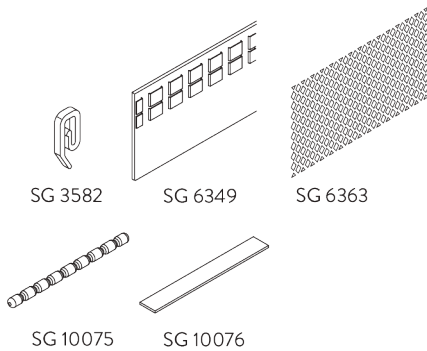
SG 6366

SG 10430-34

SG 11303

Curtain components:

- SG 3582 Hook
- SG 6349 Wave curtain tape
- SG 6363 Wave top hemming tape
- SG 10075 Lead weight 50 gr/m
- SG 10076 Fabric weigh



SG 3582

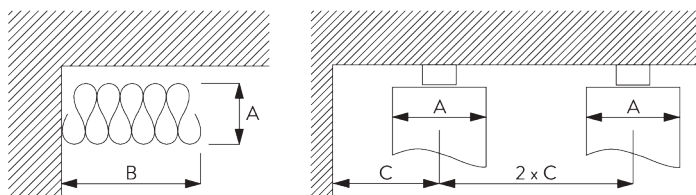
SG 6349

SG 6363

SG 10075

SG 10076

Wave stack depth - 2C glider cord (standard components)



A = Stack depth
B = Stack size
C = Min. distance



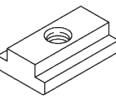
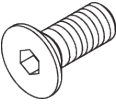
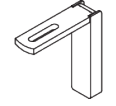

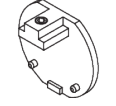
2C Glider cord SG 11302	Pockets between hooks	Approx. curtain fullness	Stack depth A	Stack size B*	Min distance C
80	6	~2.1	140	180 per metre of track	90
80	7	~2.3	160	180 per metre of track	100

2C Glider cord SG 11303	Pockets between hooks	Approx. curtain fullness	Stack depth A	Stack size B*	Min distance C
60	4	~2.1	100	230 per metre of track	70
60	5	~2.3	120	230 per metre of track	80

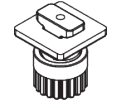
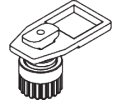

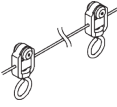
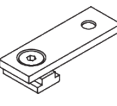
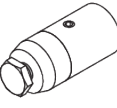
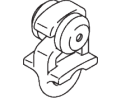

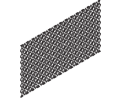
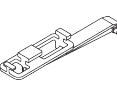
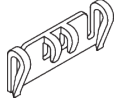
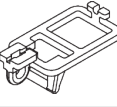
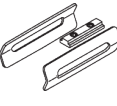
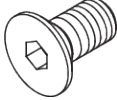
*Stack size B when using optional extension arm SG 6364 increases by 95 mm per curtain stack!


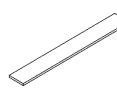
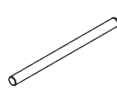
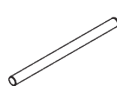
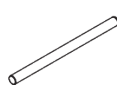
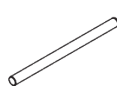
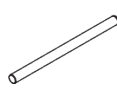
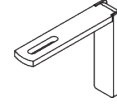
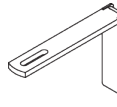
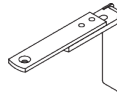
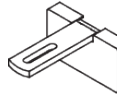
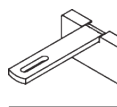
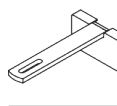
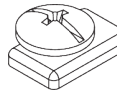
PARTS

A. STANDARD PARTS

	SG 6065 End stop
	SG 6103p Profile
	SG 6141 Clamping piece
	SG 6783 Hexagon socket countersunk screw M4x10 mm
	SG 11206 Smart Fix with slot 60 mm
	SG 11300 2C glider
	SG 11603 Flush end cap 30 mm

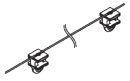
B. OPTIONAL PARTS

	SG 2255 Brake
	SG 2256 Brake
	SG 3582 Hook
	SG 6099 Wave roller cord 80 mm
	SG 6151 Ceiling support set 3 mm
	SG 6175 Mini hanger
	SG 6283 Roller
	SG 6349 Wave curtain tape
	SG 6363 Wave top hemming tape
	SG 6364 Wave extension
	SG 6365 Wave hanger
	SG 6366 Wave carrier for draw rod
	SG 6635 Connection bridge set
	SG 6784 Hexagon socket countersunk screw M4x8 mm

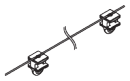
	SG 10075 Lead weight 50 g/m
	SG 10076 Fabric weight
	SG 10430 Draw rod 50 cm
	SG 10431 Draw rod 75 cm
	SG 10432 Draw rod 100 cm
	SG 10433 Draw rod 125 cm
	SG 10434 Draw rod 150 cm
	SG 11207 Smart Fix with slot 80 mm
	SG 11208 Smart Fix with slot 100 mm
	SG 11209 Adjustable Smart Fix
	SG 11216 Square Smart Fix with slot 60 mm
	SG 11217 Square Smart Fix with slot 80 mm
	SG 11218 Square Smart Fix with slot 100 mm
	SG 11295 End stop



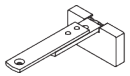
SG 11301
2C glider on strip



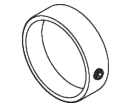
SG 11302
Wave 2C glider cord 80 mm



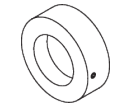
SG 11303
Wave 2C glider cord 60 mm



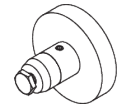
SG 11472
Adjustable Square Smart Fix



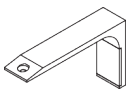
SG 11631
Stud endcap 30 mm



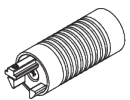
SG 11632
Design endcap 30 mm



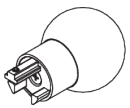
SG 11668
Top fix bracket



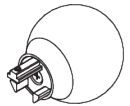
SG 11669
Fillet bracket



SG 11743
Groove cylinder 30 mm



SG 11744
Glass ball 30 mm



SG 11746
Ball end 30 mm



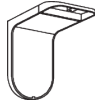
SG 11747
Spear 30 mm



SG 11748
Ellipse 30 mm



SG 11749
Taper 30 mm



SG 20334
Maxi adjustable bracket

www.bradingsfabrication.com

Brading Fabrication Limited
1885 Clements Road, Unit 228
Pickering, ON, Canada
L1W 3V4

Tel: 1-800-483-5550

info@bradingsfabrication.com