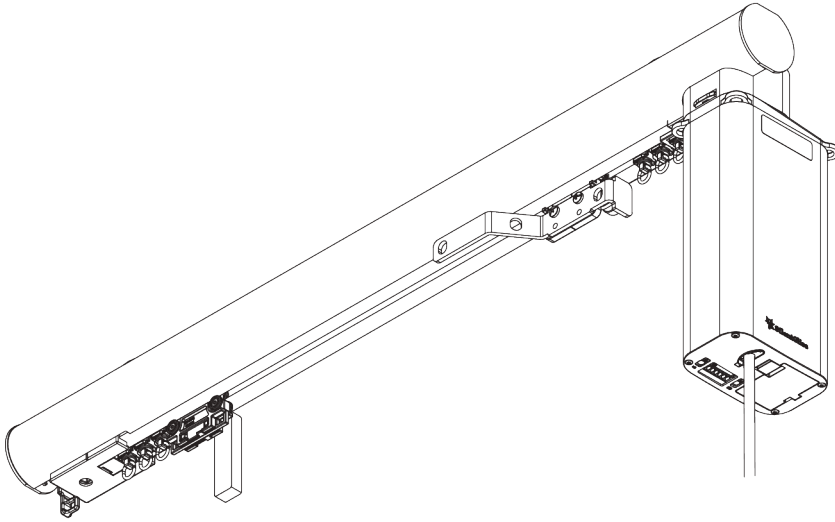
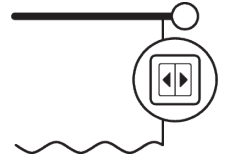


# SG 7650

---



## PRODUCT INFORMATION

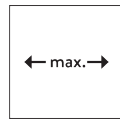
- **Operation:** motorised
- **Range:** S - L
- **Fitting:** ceiling, wall
- **Colours:** white RAL 9016, various colours / finishes
- **Fabrics:** refer to Silent Gliss fabric collection

### **Features:**

- 2-component (2C) roller technology
- Wave (2C)
- 2 motor options
- Various control options
- Touch & Go
- Manual override
- Matching endcaps and brackets / bracket covers
- Range of decorative finials

# SYSTEM SPECIFICATIONS

## A. SYSTEM DIMENSIONS



6 m



45 kg

### Maximum curtain weight - SG 5100

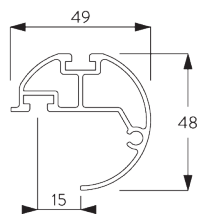
	Application with rollers		Application with Wave gliders	
	3 m	6 m	3 m	6 m
	20	25	20	20
	20	25	20	20
	(kg max.)		(kg max.)	

### Maximum curtain weight - SG 5600

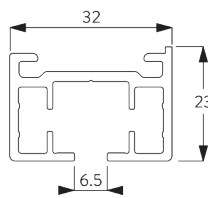
	Application with rollers / Wave rollers		Application with Wave gliders	
	2 m	6 m	2 m	6 m
	25	45	20	25
	25	45	20	25
	(kg max.)		(kg max.)	

## B. PROFILE

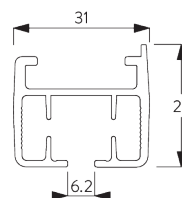
### Profile Information



**SG 11608**  
Profile

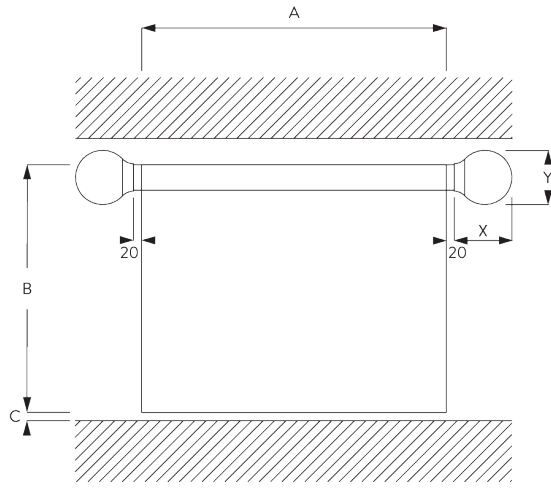


**SG 10850**  
Profile



**SG 10925**  
Profile

**C. HOW TO  
MEASURE**

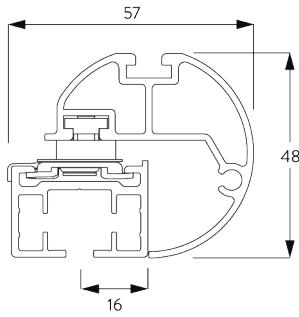


A: System width without finials  
 B: System height  
 C: Distance between floor and fabric  
 X: Finial width  
 Y: Finial height

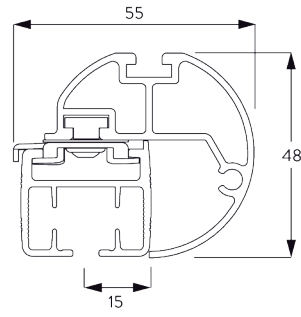
**Finial Measurements**

		50 mm	
		X	Y
	SG 11605	2	51
	SG 11651	10	56
	SG 11652	24	75
	SG 11763	115	51
	SG 11764	83	70
	SG 11766	90	85
	SG 11767	165	70
	SG 11768	32	130
	SG 11769	30	100

## Profile cross sections



SG 7650 with electric curtain track SG 5600



SG 7650 with electric curtain track SG 5100

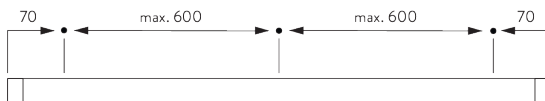
## D. SPECIFICATION TEXT

**Silent Gliss SG 7650 'Metropole' electrically operated curtain track system.** Comprises 50 mm aluminium profile SG 11608 supplied made to measure with SG electric track system SG 5600 / SG 5100 (refer to Silent Gliss for technical catalogue for motor and control options). Supplied as standard with wall 'face' Maxi brackets SG 20334 at max. 600 mm centres. Optional wall fix brackets SG 11206-11208 / SG 11216-11218 / SG 11209 / SG 11472 / Fillet bracket SG 11669. Bent systems for wall 'face' fix supplied as standard with adjustable Smart Fix bracket SG 11209. Ceiling 'top' fix with plate SG 6151 / bracket SG 6175 / SG 11668 at max. 600 mm centres. Finished in Black, White, Matt White, Ecru, Slate Grey, Bronze, Antique Bronze, Silver Anodised, Anodic Grey and Taupe. A range of decorative finials are available. Silent Gliss Wave option is available using - for SG 5100 track system 60 mm glider cord SG 10906 / 80 mm glider cord SG 10905 - for SG 5600 track system 80 mm glider cord SG 10905 / 60 mm glider cord SG 10906 / 60 mm wave 2C roller glider cord SG 10869 / 80 mm wave 2C roller glider cord SG 10852.

# FITTING

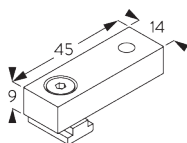
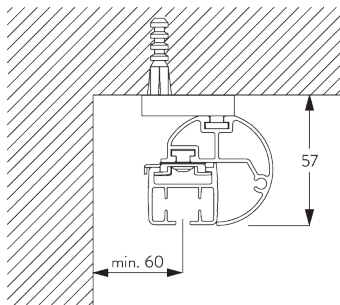
## A. FITTING INFORMATION

For detailed fitting information, visit the Silent Gliss website.



## B. CEILING FITTING

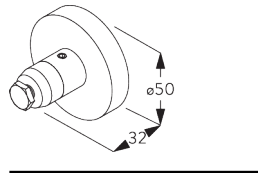
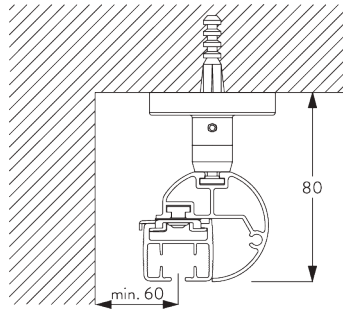
### Support SG 6152



SG 6152

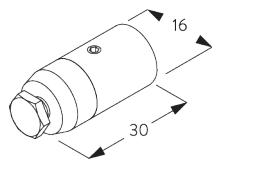
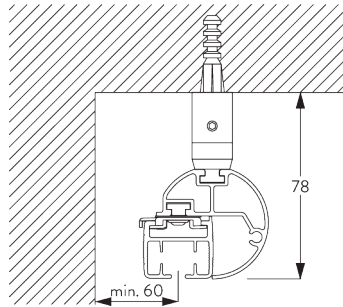
Ceiling support set 9 mm

**Top fix bracket  
SG 11668**



**SG 11668**  
*Top fix bracket*

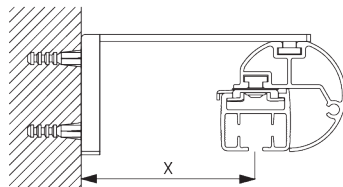
**Mini hanger SG 6175**



**SG 6175**  
*Mini hanger*

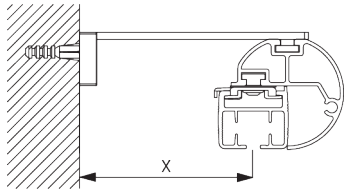
**C. WALL FITTING**

**Smart Fix**



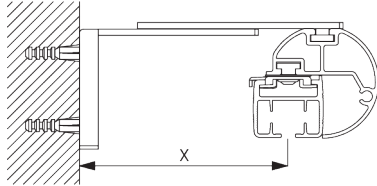
**Smart Fix with slot SG 11206 - SG 11208 and SG 6141:**  
*Screw SG 6783 (M4x10) needed.*

<b>Smart Fix</b>	<b>X mm</b>
SG 11206 / SG 11216	35
SG 11207 / SG 11217	55
SG 11208 / SG 11218	75
SG 11209 / SG 11472	64-84



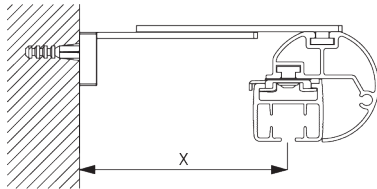
**Square Smart Fix with slot SG 11216 - SG 11218 and SG 6141:**

Screw SG 6783 (M4x10) needed.



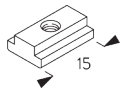
**Adjustable Smart Fix SG 11209 and SG 6141:**

Screw SG 6784 (M4x8) needed.



**Adjustable Square Smart Fix SG 11472 and SG 6141:**

Screw SG 6784 (M4x8) needed.



**SG 6141**

Clamping piece



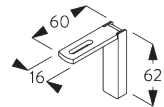
**SG 6783**

Hexagon socket countersunk screw M4x10 mm



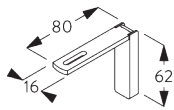
**SG 6784**

Hexagon socket countersunk screw M4x8 mm



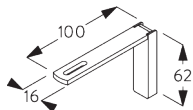
**SG 11206**

Smart Fix with slot 60 mm



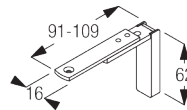
**SG 11207**

Smart Fix with slot 80 mm



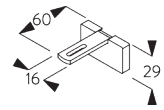
**SG 11208**

Smart Fix with slot 100 mm



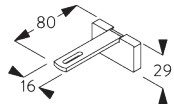
**SG 11209**

Adjustable Smart Fix



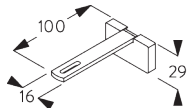
**SG 11216**

Square Smart Fix with slot 60 mm



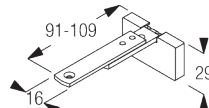
**SG 11217**

Square Smart Fix with slot 80 mm



**SG 11218**

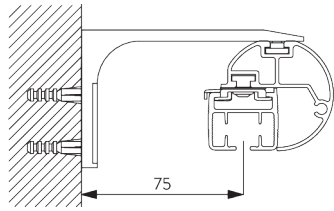
Square Smart Fix with slot 100 mm



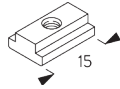
**SG 11472**

Adjustable Square Smart Fix

**Fillet Bracket  
SG 11669**



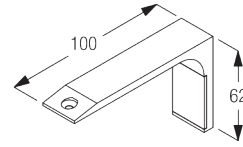
Screw SG 6784 (M4x8) needed.  
Recommended for straight systems only.



**SG 6141**  
Clamping piece

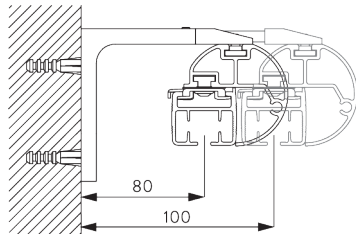


**SG 6784**  
Hexagon socket countersunk  
screw M4x8 mm

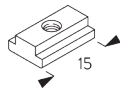


**SG 11669**  
Fillet bracket

**Maxi adjustable  
bracket SG 20334**



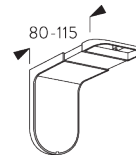
Screw SG 6783 (M4x10) needed.



**SG 6141**  
Clamping piece



**SG 6783**  
Hexagon socket countersunk  
screw M4x10 mm



**SG 20334**  
Maxi adjustable bracket

# DESIGN & SYSTEM OPTIONS

**A. ENDCAPS**



SG 11605



SG 11651



SG 11652

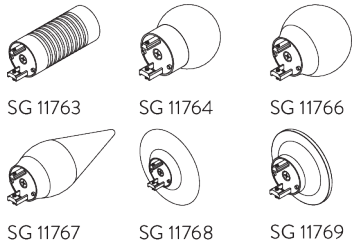
Endcaps:

- SG 11605 Flush endcap 50 mm
- SG 11651 Stud endcap 50 mm
- SG 11652 Design endcap 50 mm

Please note:

- Without finials, poles are supplied as standard with flush fitting endcaps SG 11605 (left).
- Alternatively, stud endcaps SG 11651 can be selected at no additional cost.

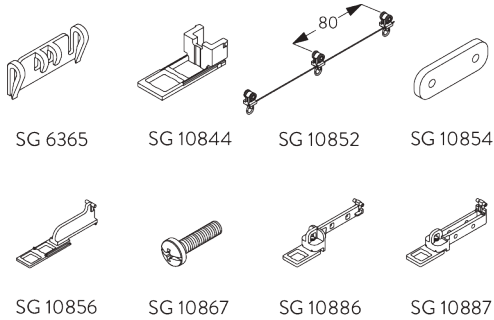
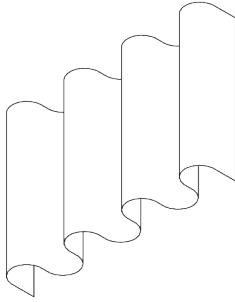
## **B. FINIALS**



*Finials are decorative elements that fit on at the end of the pole:*

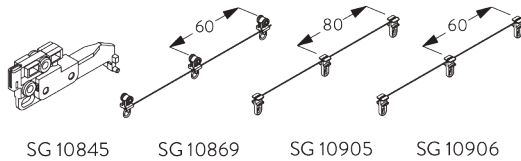
- SG 11763 Groove cylinder 50 mm
- SG 11764 Glass ball 50 mm
- SG 11766 Ball end 50 mm
- SG 11767 Spear 50 mm
- SG 11768 Ellipse 50 mm
- SG 11769 Taper 50 mm

## **C. WAVE WITH SG 5600**



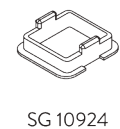
*Standard components with SG 5600:*

- SG 6365 Wave hanger
- SG 10844 Wave end stop
- SG 10852 Wave 2C roller cord, 80 mm
- SG 10854 Wave overlap arm support
- SG 10856 Wave end stop, belt return
- SG 10867 Panhead screw
- SG 10886 Wave extension
- SG 10887 Wave overlap arm set



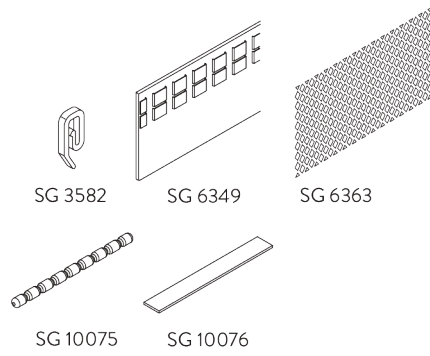
*Optional components with SG 5600:*

- SG 10845 Wave master carrier single stack 80 mm
- SG 10869 Wave 2C roller cord, 60 mm (no single stack)
- SG 10905 Wave glider cord, 80 mm
- SG 10906 Wave glider cord, 60 mm (no single stack)
- SG 10924 Wave glider support



SG 10924

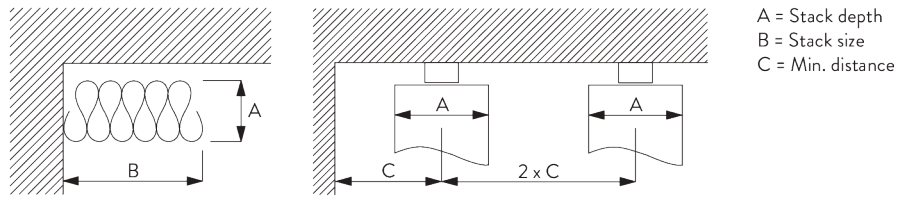




Curtain components with SG 5600:

- SG 3582 Hook
- SG 6349 Wave curtain tape
- SG 6363 Wave top hemming tape
- SG 10075 Lead weight 50 gr/m
- SG 10076 Fabric weight

Wave stack depth - 2C roller / glider cord (standard components)

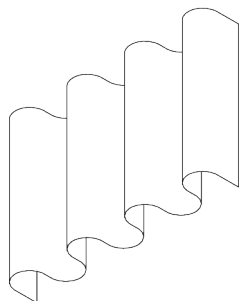


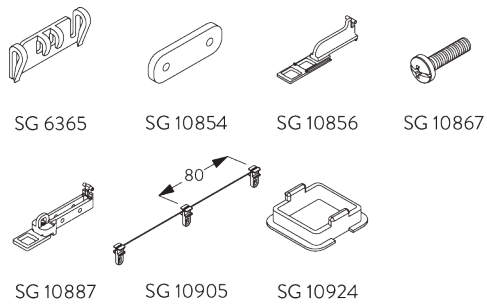
Roller / glider cord SG 10852 / 10905	Pockets between hooks	Approx. curtain fullness	Stack depth A	Stack size B*	Min distance C
80	6	~2.1	140	210 per metre of track	90
80	7	~2.3	160	210 per metre of track	100

Roller / glider cord SG 10869 / 10906	Pockets between hooks	Approx. curtain fullness	Stack depth A	Stack size B*	Min distance C
60	4	~2.1	100	260 per metre of track	70
60	5	~2.3	120	260 per metre of track	80

\*Stack size B plus 195 mm for each curtain stack

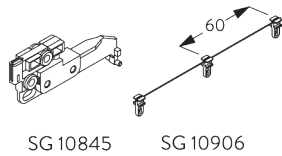
#### **D. WAVE WITH SG 5100**





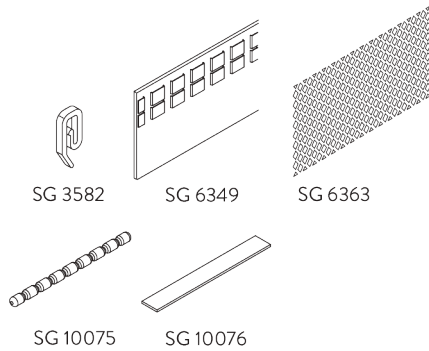
**Standard components with SG 5100:**

- SG 6365 Wave hanger
- SG 10854 Wave overlap arm support
- SG 10856 Wave end stop, belt return
- SG 10867 Panhead screw
- SG 10887 Wave overlap arm set
- SG 10905 Wave glider cord 80 mm
- SG 10924 Wave glider support



**Optional components with SG 5100:**

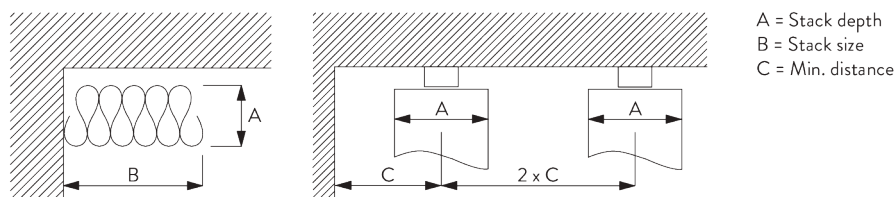
- SG 10845 Wave master carrier single stack 80 mm
- SG 10906 Wave glider cord 60 mm (no single stack)



**Curtain components with SG 5100:**

- SG 3582 Hook
- SG 6349 Wave curtain tape
- SG 6363 Wave top hemming tape
- SG 10075 Lead weight 50 gr/m
- SG 10076 Fabric weight

**Wave stack depth - glider cord (standard components)**



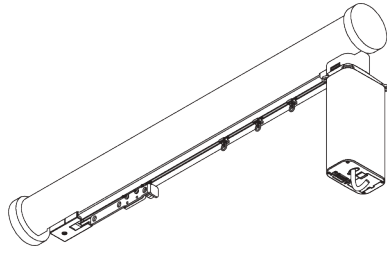
Glider cord SG 10905	Pockets between hooks	Approx. curtain fullness	Stack depth A	Stack size B*	Min distance C
80	6	~2.1	140	180 per metre of track	90
80	7	~2.3	160	180 per metre of track	100

Glider cord SG 10906	Pockets between hooks	Approx. curtain fullness	Stack depth A	Stack size B*	Min distance C
60	4	~2.1	100	230 per metre of track	70
60	5	~2.3	120	230 per metre of track	80

\*Stack size B plus 195 mm for each curtain stack

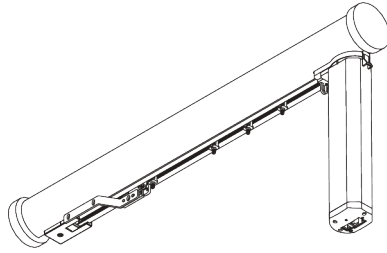
# MOTORS & CONTROLS

**Electric curtain track system SG 5600**



*For detailed motor features and specifications and control options, refer to SG 5600 catalogue.*

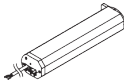
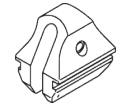

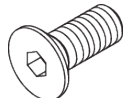
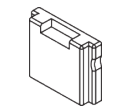

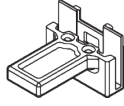
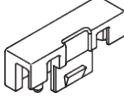
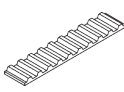
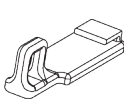
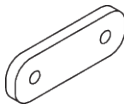
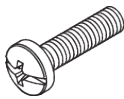
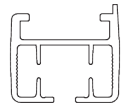
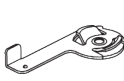
**Electric curtain track system SG 5100**

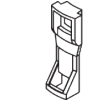

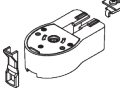
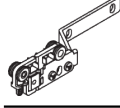
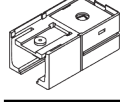
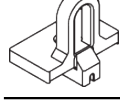
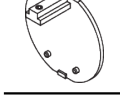
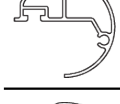
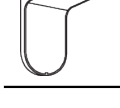


*For detailed motor features and specifications and control options, refer to SG 5100 catalogue.*


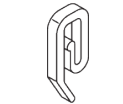
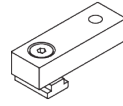
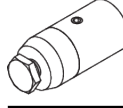
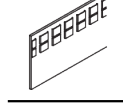
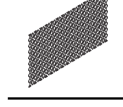
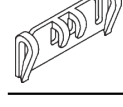
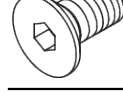
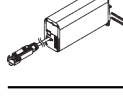
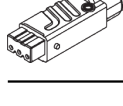
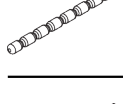
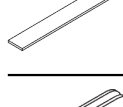
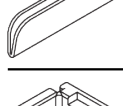

# PARTS

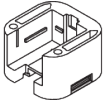
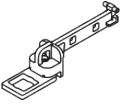
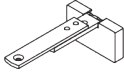
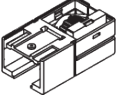
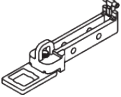

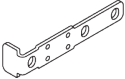


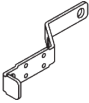
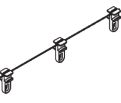

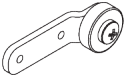
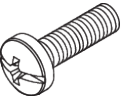
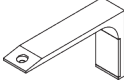
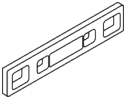
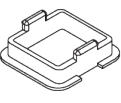
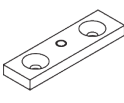
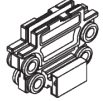
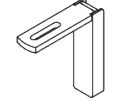
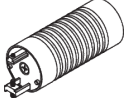

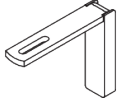
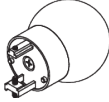
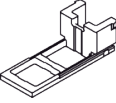
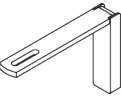
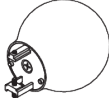
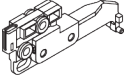
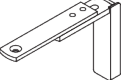

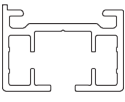
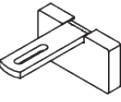

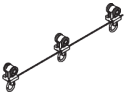
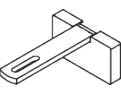
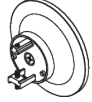

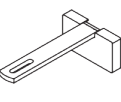
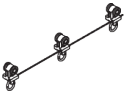
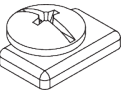
## A. STANDARD PARTS

	<b>SG 5190</b> Motor 100-240V AC, 1/130, radio receiver
	<b>SG 6086</b> Spring stop
	<b>SG 6141</b> Clamping piece
	<b>SG 6783</b> Hexagon socket countersunk screw M4x10 mm
	<b>SG 10815</b> Cover
	<b>SG 10822</b> Master carrier
	<b>SG 10823</b> Belt connector arm
	<b>SG 10824</b> Belt connector pin
	<b>SG 10825</b> Belt
	<b>SG 10836</b> Mask pair stack
	<b>SG 10854</b> Wave overlap plate
	<b>SG 10867</b> Pan head screw Freedriv M4x16
	<b>SG 10925</b> Profile
	<b>SG 10926</b> Clamp

	<b>SG 10927</b> Hook
	<b>SG 10931</b> Roller
	<b>SG 10933</b> Gear drive set
	<b>SG 10936</b> Overlap arm
	<b>SG 10940</b> Guide return
	<b>SG 10945</b> End stop
	<b>SG 11605</b> Flush end cap 50 mm
	<b>SG 11608</b> Profile
	<b>SG 20334</b> Maxi adjustable bracket

## B. OPTIONAL PARTS

	<b>SG 3004</b> Clamp
	<b>SG 3582</b> Hook
	<b>SG 6152</b> Ceiling support set 9 mm
	<b>SG 6175</b> Mini hanger
	<b>SG 6349</b> Wave curtain tape
	<b>SG 6363</b> Wave top hemming tape
	<b>SG 6365</b> Wave hanger
	<b>SG 6784</b> Hexagon socket countersunk screw M4x8 mm
	<b>SG 9060</b> Motor 100-250V AC & 24V DC
	<b>SG 9917</b> Hirschmann portable socket-outlet STAK 3 N
	<b>SG 10075</b> Lead weight 50 g/m
	<b>SG 10076</b> Fabric weight
	<b>SG 10725</b> Programming distance holder
	<b>SG 10816</b> Cover

	<b>SG 10817</b> Motor holder		<b>SG 10886</b> Wave extension		<b>SG 11472</b> Adjustable Square Smart Fix
	<b>SG 10819</b> Belt return		<b>SG 10887</b> Wave extension		<b>SG 11651</b> Stud endcap 50 mm
	<b>SG 10820</b> Overlap arm		<b>SG 10905</b> Wave glider cord 80 mm		<b>SG 11652</b> Design endcap 50 mm
	<b>SG 10821</b> Overlap arm		<b>SG 10906</b> Wave glider cord 60 mm		<b>SG 11668</b> Top fix bracket
	<b>SG 10826</b> Overlap arm support		<b>SG 10923</b> Pan head screw Freedriv M4x12		<b>SG 11669</b> Fillet bracket
	<b>SG 10837</b> Pilot runner		<b>SG 10924</b> Wave glider support		<b>SG 11671</b> Plate
	<b>SG 10838</b> Pilot runner		<b>SG 11206</b> Smart Fix with slot 60 mm		<b>SG 11763</b> Groove cylinder 50 mm
	<b>SG 10840</b> 2C roller		<b>SG 11207</b> Smart Fix with slot 80 mm		<b>SG 11764</b> Glass ball 50 mm
	<b>SG 10844</b> Wave end stop		<b>SG 11208</b> Smart Fix with slot 100 mm		<b>SG 11766</b> Ball end 50 mm
	<b>SG 10845</b> Wave master carrier		<b>SG 11209</b> Adjustable Smart Fix		<b>SG 11767</b> Spear 50 mm
	<b>SG 10850</b> Profile		<b>SG 11216</b> Square Smart Fix with slot 60 mm		<b>SG 11768</b> Ellipse 50 mm
	<b>SG 10852</b> Wave 2C roller cord 80 mm		<b>SG 11217</b> Square Smart Fix with slot 80 mm		<b>SG 11769</b> Taper 50 mm
	<b>SG 10856</b> Wave extension		<b>SG 11218</b> Square Smart Fix with slot 100 mm		
	<b>SG 10869</b> Wave 2C roller cord 60 mm		<b>SG 11295</b> End stop		

[www.bradingsfabrication.com](http://www.bradingsfabrication.com)

Brading Fabrication Limited  
1885 Clements Road, Unit 228  
Pickering, ON, Canada  
L1W 3V4

Tel: 1-800-483-5550

[info@bradingsfabrication.com](mailto:info@bradingsfabrication.com)