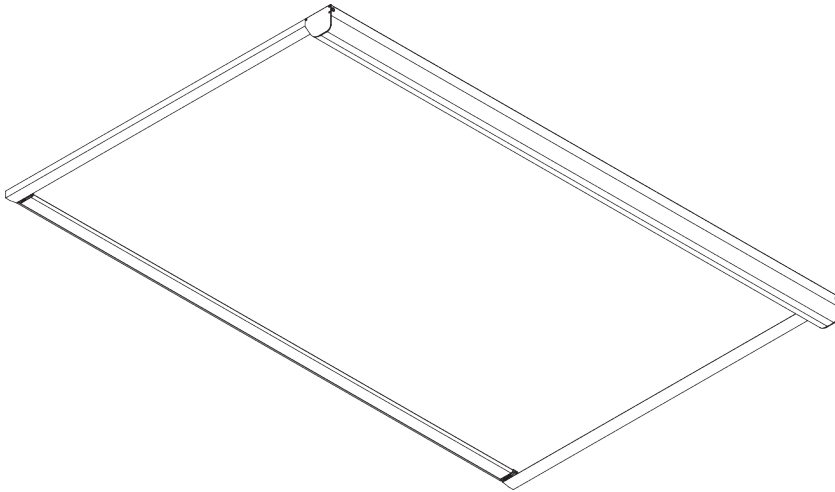
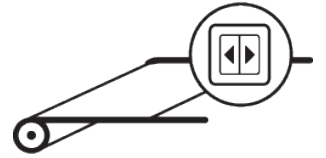


SG 8640



PRODUCT INFORMATION

- **Operation:** motorised
- **Range:** S - L
- **Fitting:** ceiling, wall, recess
- **Colours:** white RAL 9016, special colours possible
- **Fabrics:** refer to Silent Gliss fabric collection

Features:

- Tensioned roller blind
- Various control options
- Any angle
- Fabric zip technology
- Dim Out with appropriate fabric selection

SYSTEM SPECIFICATIONS

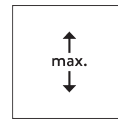
A. SYSTEM DIMENSIONS



3 m



65 cm



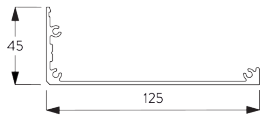
Headbox S / M: 3 m
Headbox L: 4.5 m



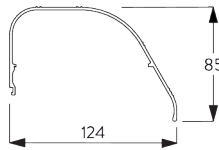
Headbox S / M: 9 m²
Headbox L:
13 m² / 11 m²

B. PROFILE

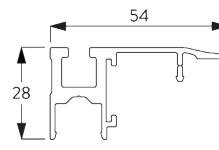
Profile information



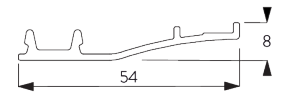
SG 8641
Box case S/M 105x125 mm



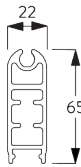
SG 8642
Box cover S/M 105x125 mm



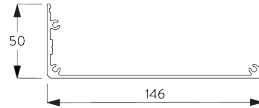
SG 8643
Side guide case inside fitting



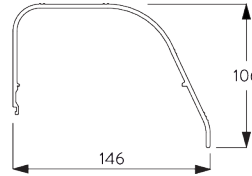
SG 8644
Side guide cover



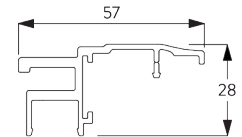
SG 8645
Bottom bar



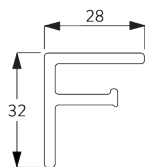
SG 8661
Box case L 126x146 mm



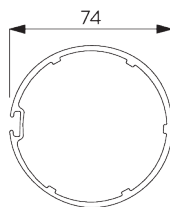
SG 8662
Box cover L 126x146 mm



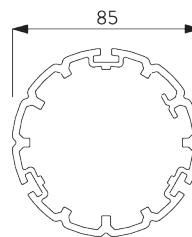
SG 8663
Side guide case inside fitting



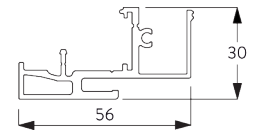
SG 8664
Side guide profile inside fitting



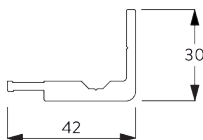
SG 8665
Tube ø 74 mm



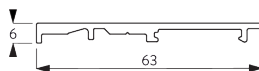
SG 8666
Tube L ø 85 mm



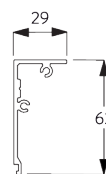
SG 8672
Side guide case



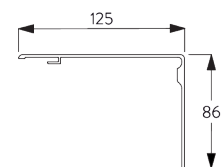
SG 8673
Concealed side guide profile



SG 8674
Concealed side guide cover

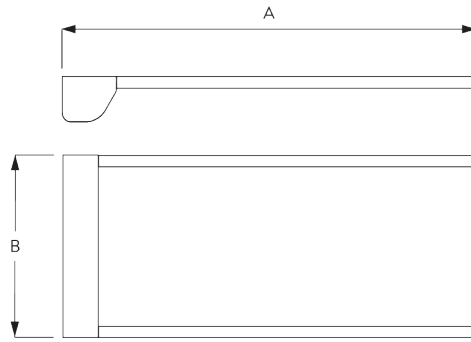


SG 8677
Concealed box cover 105x125 mm



SG 8678
Concealed box cover lid 105x125 mm

**C. HOW TO
MEASURE**



A: System length
B: System width

**D. SPECIFICATION
TEXT**

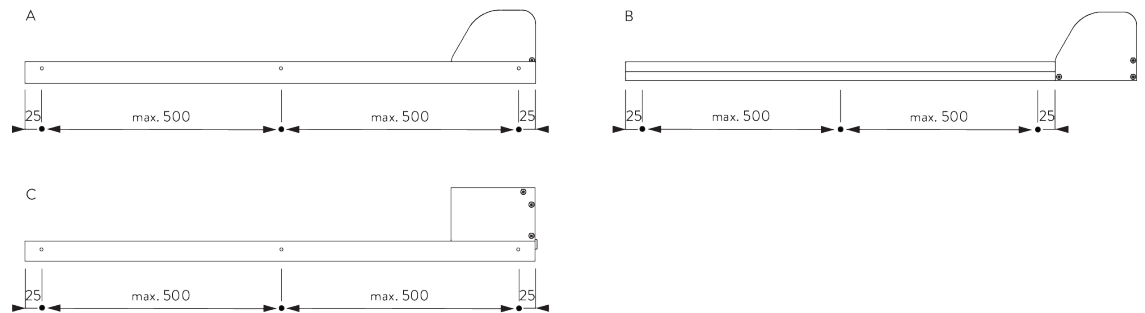
Silent Gliss SG 8640 Electrically Operated Tensioned Dimout / Solar Screening Roller Blind System. Supplied made to measure and complete comprising (key components) motor SG 8657 / SG 8658 , zip profile SG 8659 - System S/M – Box cover SG 8642, box case SG 8641, aluminium tube SG 8665/ System L – box cover 8662, box case SG 8661, aluminium tube SG 8666. Inside fix – Side guide case SG 8663, side guide profile SG 8664. Face fix – side guide case SG 8643, Side guide cover SG 8644. Concealed recess fix option with box covers SG 8677, SG 8678 side guide case SG 8672, side guide profile SG 8673 and side guide cover SG 8674. Controlled via fixed switch / third party control system subject to suitable interface by others/ SG radio control systems SG 9940 / SG 0450 with external receiver. All radio control components supplied at additional cost. All wiring to be strictly in accordance with Silent Gliss wiring diagrams. Fabric to be chosen from the Silent Gliss fabric range, Price Group 1 / price group 2.

FITTING

**A. FITTING
INFORMATION**

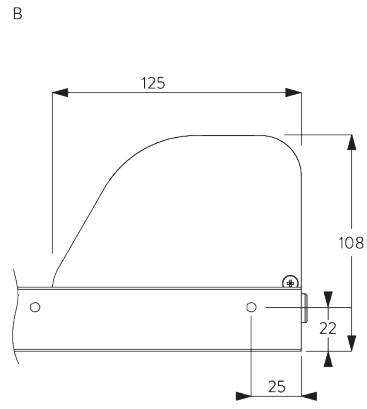
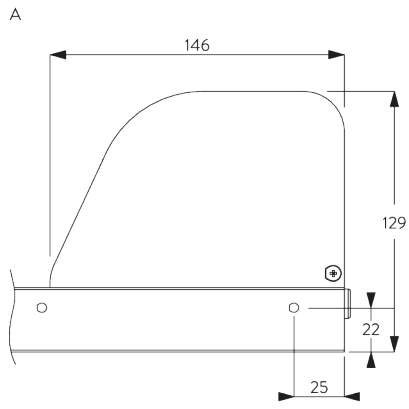
For detailed fitting information, visit the Silent Gliss website.

Fixing points



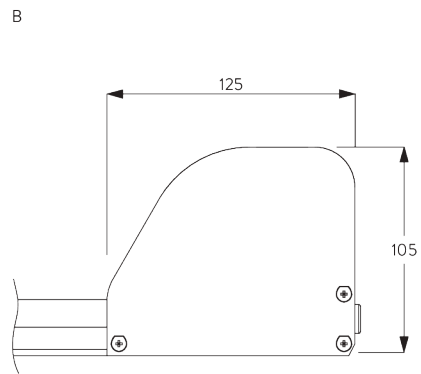
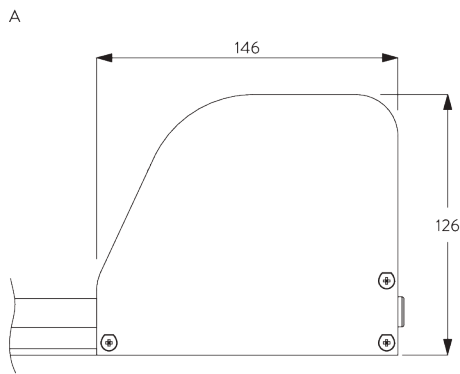
A: Inside recess fitting
B: Face fitting
C: Concealed recess fitting

Headbox dimensions



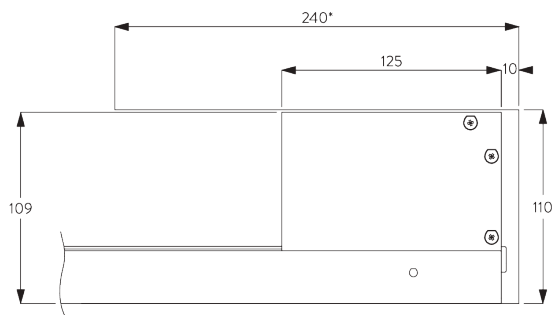
Inside recess fitting

A: Headbox L
B: Headbox S / M



Face fitting

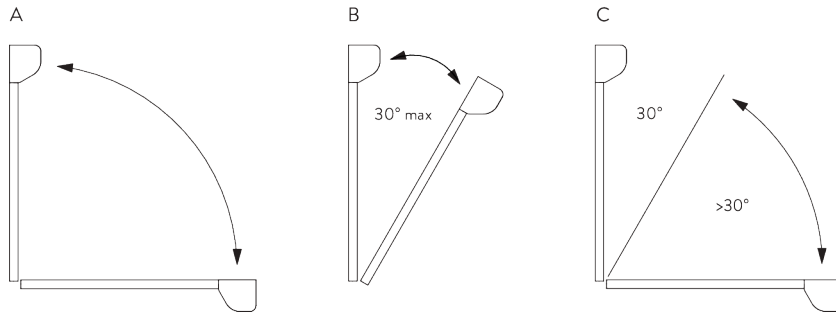
A: Headbox L
B: Headbox S / M



Concealed recess fitting
Concealed recess headbox

**recess depth required to fully conceal hem bar when retracted!*

Fitting angles



A: Headbox S / M:

3 m wide x 3 m draw / 9 m² any angle

B: Headbox L:

3 m wide x 4.5 m draw /

13 m² no greater than 30° from vertical

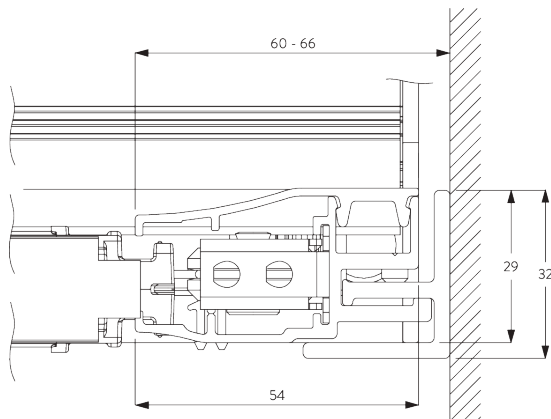
C: Headbox L:

Max. 2.5 m wide x 4.5 m draw /

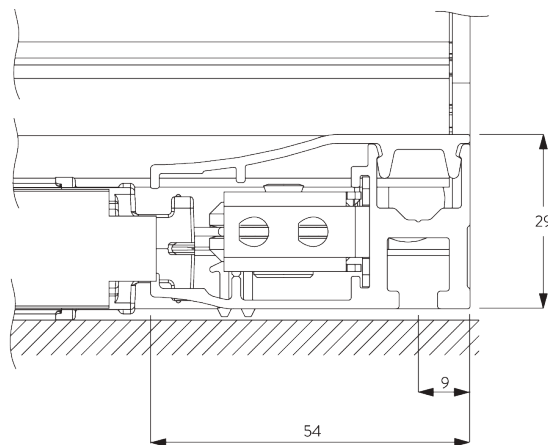
11 m² greater than 30° from vertical

Concealed recess option max. 3 m wide x 3 m draw any angle.

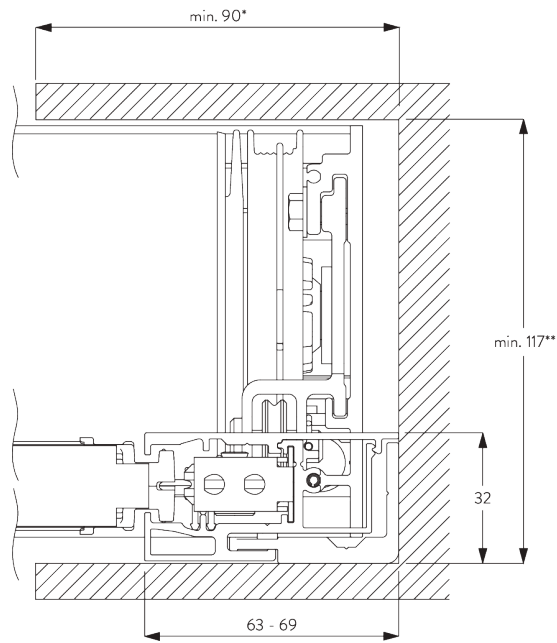
B. INSIDE RECESS FITTING



C. FACE FITTING



**D. CONCEALED
RECESS FITTING**



*recess depth required to fully conceal hem bar end caps
**min. 125 mm if head box lid is used

MOTOR & CONTROLS

**A. MOTOR
FEATURES**

Motor	SG 8657 / SG 8658
Motor Features	
Soft start / stop	●
Electronic end-stop	●
Electronic revolution counter (unlimited revolution)	●
Cable connectable with plug into motor	●
IP class	IP 30
Control Features	
Mains power control	●
SG Control L (external receiver required)	●
SG Control R (external receiver required)	●
Suitable for most major home automation systems (with suitable interface)	●

**B. MOTOR
SPECIFICATIONS**

Motor	Voltage	Current	Frequency	Speed
SG 8657 / SG 8658	100-240 V AC	0.8 A	50 / 60 Hz	12 rpm

**C. OPERATING
METHODS**

See catalogue "controls" for details.

Wall Switch



System can be operated by fixed wall switch.

SG Control L



Various radio hand-held and wall transmitters available.
An external receiver is required.



Silent Gliss Move App.

SG Control R



Various radio hand-held and wall transmitters available.
An external receiver is required.

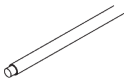








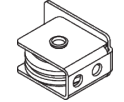


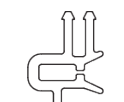

**D. WIRING
DIAGRAMS**


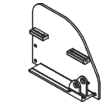
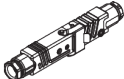


Refer to the Silent Gliss website.



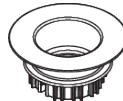


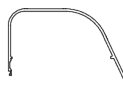
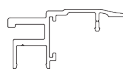

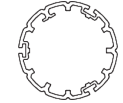

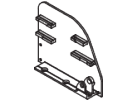
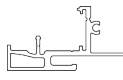


PARTS

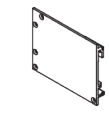
A. STANDARD PARTS

	SG 8619 Tension wire \varnothing 1.5 mm
	SG 8641 Box case S/M 105x125 mm
	SG 8642 Box cover S/M 105x125 mm
	SG 8643 Side guide case inside fitting
	SG 8644 Side guide cover
	SG 8645 Bottom bar
	SG 8646 Cable spool left
	SG 8647 Cable spool right
	SG 8648 Tube adapter
	SG 8649 Pulley
	SG 8656 Spring
	SG 8657 Motor kit
	SG 8659 Zip profile
	SG 8665 Tube \varnothing 74 mm

	SG 8667 End cover left S/M 105x125 mm
	SG 8668 End cover right S/M 105x125 mm
	SG 9916 Hirschmann plug set

B. OPTIONAL PARTS

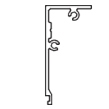
	SG 8651 Cable spool left L
	SG 8652 Cable spool right L
	SG 8653 Tube adapter L
	SG 8658 Motor kit L
	SG 8661 Box case L 126x146 mm
	SG 8662 Box cover L 126x146 mm
	SG 8663 Side guide case inside fitting
	SG 8664 Side guide profile inside fitting
	SG 8666 Tube L \varnothing 85 mm
	SG 8669 End cover left L 126x146 mm
	SG 8671 End cover right L 126x146 mm
	SG 8672 Side guide case
	SG 8673 Concealed side guide profile
	SG 8674 Concealed side guide cover

**SG 8675**

Concealed end cover left 105x125 mm

**SG 8676**

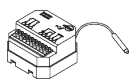
Concealed end cover right 105x125 mm

**SG 8677**

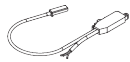
Concealed box cover 105x125 mm

**SG 8678**

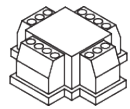
Concealed box cover lid 105x125 mm

**SG 9068**

Radio receiver Revio

**SG 9945**

Radio receiver 1 channel

**SG 9959**

Central control unit relay

**SG 10300**

Radio hand held 1 channel

**SG 10302**

Radio hand held 5+1 channel

**SG 10303**

Radio hand held 10+2+1 channel

**SG 10804**

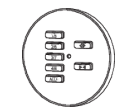
Radio hand held 15+5+1 channel

**SG 11480**

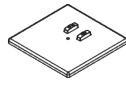
Radio wall transmitter 1 channel

**SG 11490**

Radio wall transmitter 5+1 channel

**SG 20336**

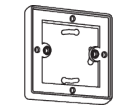
Hand held transmitter 8 channel

**SG 20913**

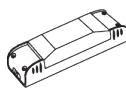
Wall switch single channel

**SG 20914**

Wall switch 8 channel

**SG 20917**

Pattress box

**SG 20919**

Control module motor type R

www.bradingsfabrication.com

Brading Fabrication Limited
1885 Clements Road, Unit 228
Pickering, ON, Canada
L1W 3V4

Tel: 1-800-483-5550

info@bradingsfabrication.com