



The ideal solution for covering your skylights

SolaraSky™ is custom manufactured by Brading Fabrication Ltd. Designed to optimize light control and reduce heat gain through skylights, SolaraSky™ is the ideal window covering solution for your skylights and sunroom ceilings.

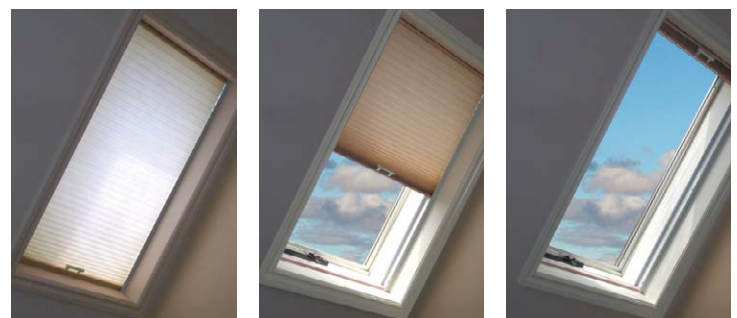
SolaraSky™ fabric is 100% non-woven polyester. This spun textile has been proven to withstand over a decade of heat, cold, and damaging ultraviolet light. A single layer of honeycomb cells provide exceptional thermal insulation, while still allowing the natural light to “filter through” the fabric. A uniform white backing maximizes the reflection of radiant heat while providing a neutral appearance from the exterior of your home. Optional blackout fabrics are available for bedroom applications.

AVAILABLE IN DESIGNER COLOURS

SolaraSky™ fabric is available in several designer colours, however a soft “off white” is most often recommended for roof glass applications. Neutral tones allow the shade to blend in with the skylight structure when not in use.

HIGH-PERFORMANCE FABRIC STOPS HEAT TRANSFER

A cellular style fabric is perfect for skylight applications since it has been proven to be energy efficient. The internal honeycomb configuration allows the fabric high structural integrity while trapping the air to act as an insulator. Once the shade is fully covering the skylight, the side tracking system tends to create a “trapped air cavity” between the inside of the skylight and back of the cellular fabric. It is these multi layers of “dead air” space that create the high R factor.



The energy efficient, retractable skylight shading system



SOLARASKY™ EXCELS OVER OTHER PRODUCTS BY REDUCING ALL METHODS OF HEAT TRANSFER.

Summer heat gain and winter heat loss is transferred by three physical properties; radiation, conduction and convection.

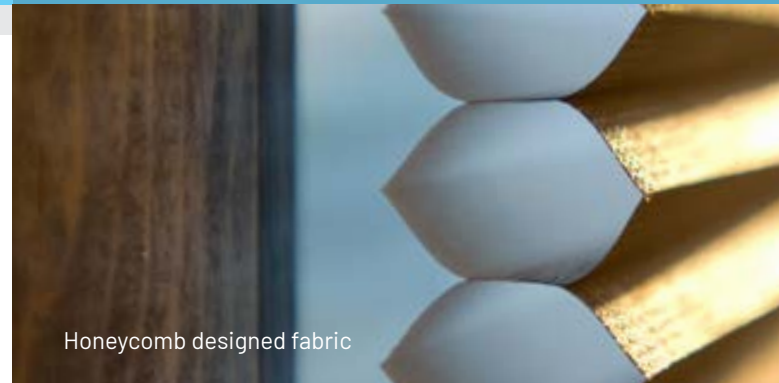
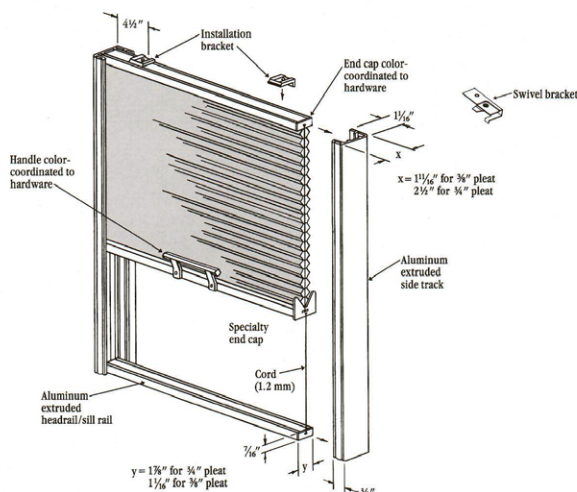
1. Radiation is the transfer of heat in the absence of matter.
2. Conduction is the transfer of heat through a solid.
3. Convection is the movement of temperature through a liquid or gas.

SIDETRACKS KEEP THE FABRIC SECURELY IN PLACE

This unique skylight shade runs inside a special low profile polycarbonate sidetrack, which offers several benefits. Whether your skylight is installed on a flat or angled roof, these sidetracks keep the fabric securely in place. Besides eliminating light gaps, these channels ensure that thermal heat transfer is greatly reduced by encapsulating the fabric within the hardware system. Sidetracks also omit the need for support cords on shades under 42" in width.

A detachable telescopic wand is supplied to operate the skylight covering. You can raise, lower or stop your shade in any position by sliding the moveable rail within the tracking system.

SolaraSky™ will compact and virtually disappear when fully retracted.



HARDWARE SPECIFICATIONS

- aluminum headrail, moveable rail and bottom rail
- UV resistant polycarbonate sidetracks and moveable rail guides
- stainless steel installation brackets
- internal 1.2 mm polyester tension cords and metal spring assembly

FABRIC SPECIFICATIONS

- resilient 100% non-woven polyester
- light filtering or blackout styles
- numerous designer colours available
- fire retardant fabric options
- all fabrics are low maintenance and easy to clean
- all honeycomb shades should be fully retracted for a few hours each month, to allow the fabric to regain its memory and reset the polyester

SIZE SPECIFICATIONS

- minimum shade width of 15"
- maximum shade width of 60"
- minimum shade length of 12"
- maximum shade length of 96"
- maximum shade size of 25 square feet
- center support cord required on all shades wider than 42"

ADD COMFORT TO YOUR HOME

ENVIRONMENT

- SolaraSky™ will provide many years of simple, trouble free operation.
- SolaraSky™ has been engineered to greatly reduce summer heat gain, winter heat loss, damaging ultraviolet light and glare.
- SolaraSky™ will pay for itself in reduced energy consumption while adding comfort to your home environment.