



Overview

Our new Elara Roller Blind System 4440 is specifically designed to conform to European style windows which have both tilt and turn functions.

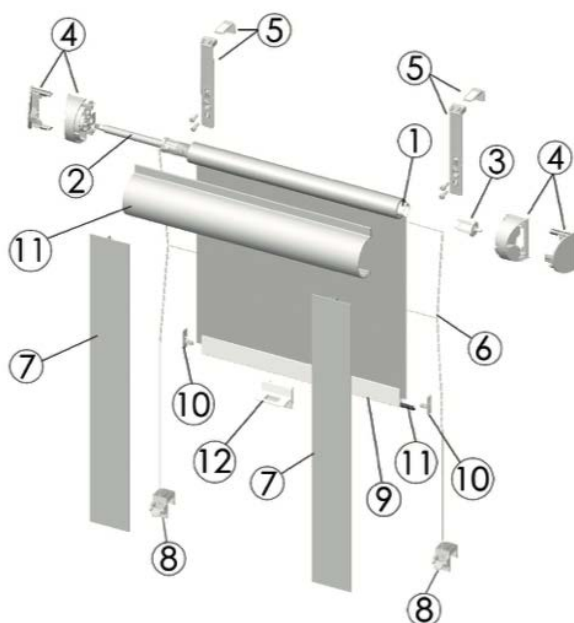
The low profile cassette ensures no interference with a window that opens like a swing door. Discreet side tracks make certain to hold the fabric securely in place when the top of the window is tilted into the room for ventilation.

A full selection of specialty textiles (see-through, light filtering privacy and room darkening) complement the discreet hardware system to permit shade widths of up to 54" and heights up to 90".

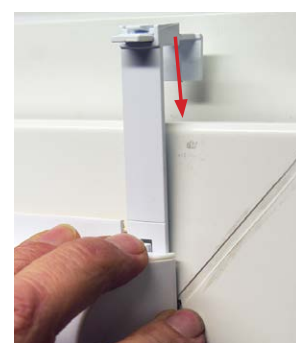
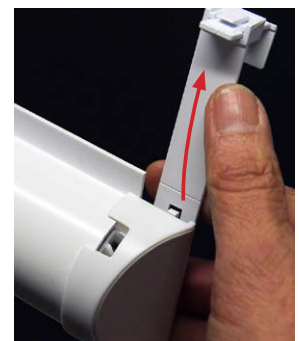
System 4440's smooth aluminum cassette design fastens directly onto the window frame, while allowing a portion of the roller tube to be recessed into the glass opening.

High quality Nordic made chain clutches and spring mechanisms ensure years of trouble free use. UV resistant plastic side tracks and cassette end caps perfectly match the PVC window frames. Mounting options include the recommended screw-in bracket as well as an optional hook on the frame "straddling" system.

System 4440 is custom made to exact specifications to provide, privacy, light control, and protection from sun damage.



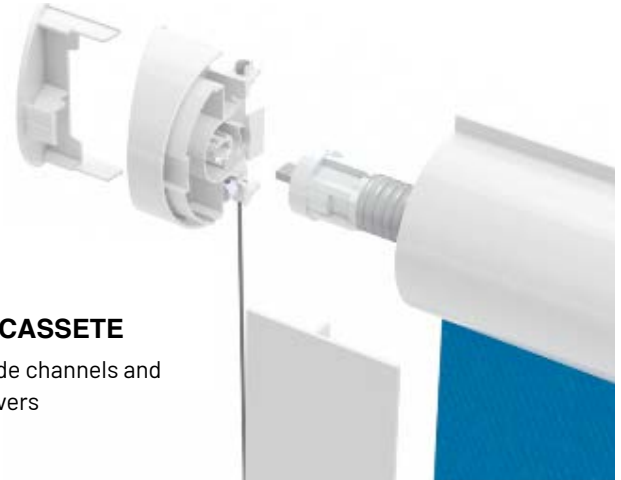
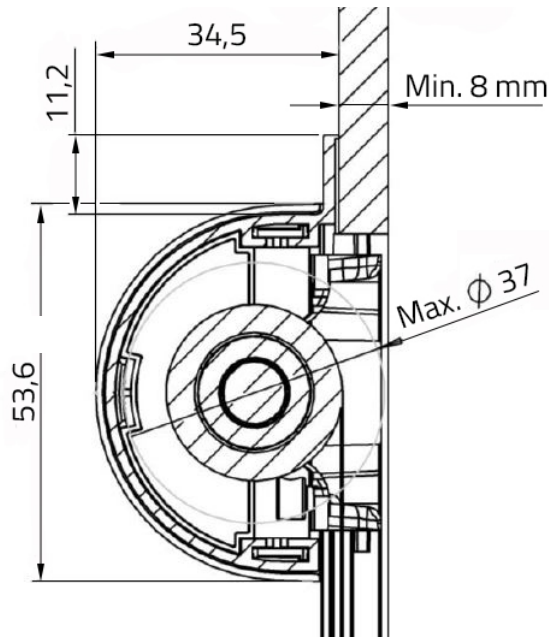
1. 17 mm or 20 mm roller tube
2. Spring Mechanism
3. End Plug / Bushing
4. End Cap Plus Cover
5. Mounting Hook
6. 1.2 mm Covered Guide Wire
7. Side Channel
8. Hold Down
9. Bottom Bar
10. Bottom Bar End Cap
11. Brush Tape
12. Bottom Bar Handle





SPECIFICATIONS

- maximum width = 1400 mm
- maximum length = 3200 mm
(based on a fabric thickness of 0.2 mm)
- maximum length = 2300 mm
(based on a fabric thickness of 0.3 mm)
- maximum length = 1800 mm
(based on a fabric thickness of 0.4 mm)



SLIM CASSETE

Slim side channels and end covers

FLEXIBLE

Allows full operation in either tilt or turn application



EASY MOUNTING

just hang directly on the window frame or attach with screws

