



Overview

Elarashade™ is our exclusive, high quality roller blind system for motorized and manual (cordless with counter spring or chain operated for commercial use) applications which require high performance functionality and yet achieve certain budget considerations. Our product incorporates the finest fabric selections to minimize the effects of damaging ultraviolet light, glare and summer heat gain while decreasing energy consumption. Our design and engineering reduces the size of the hardware components in order to create a minimalist appearance while still maximizing structural integrity, ease of use and providing many years of trouble free operation.

Our product line is highly customizable with hardware components that can be matched to any colour and automated control system. Shades can be ordered with an optional valance or cassette enclosure to completely conceal the roller apparatus. Motorized versions come with whisper-quiet, low voltage 24-volt DC or rechargeable battery Italian made motors coupled with handheld transmitters or wall switches that permit group or individual blind control. These custom programmed systems easily integrate into any home automation system via RS232 or relay controls.





SPECIFICATIONS

HARDWARE

- Valance: choice of 3" (76 mm) or 4" (102 mm) aluminum valance
- Cassette: 2 3/4" (70 mm) open roll aluminum cassette
- Bottom bar: choice of 3 different aluminum rail profiles: white, silver and black
- Clutch & idle mechanism: made of highest quality Delrin plastic, resistant to heat and damaging ultraviolet light
- Mounting brackets: made from powder coated steel

FABRIC

Choice of sunscreen, privacy, or blackout fabrics. All fabrics are inherently flame retardant.

- Sunscreen: fabrics available in 3%, 5% or 10% openness factor
- Light-filtering shade cloths: selected to provide privacy while allowing natural light to filter through
- Blackout fabrics: 100% polyester textile
- Fire Classification: NFPA 701-96 TM California -US title 19 (applies to all fabrics)
- Maintenance: All fabrics are low maintenance and easily cleaned.

SIZE

Motorized shade (rechargeable battery)

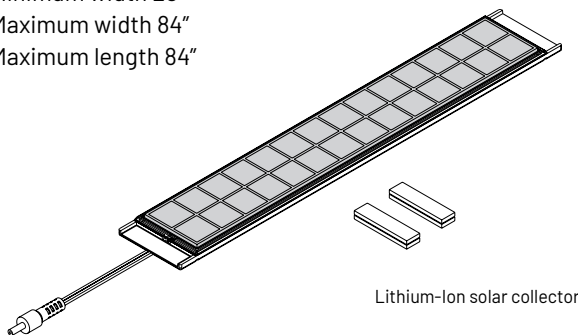
- Radio-controlled style: minimum width 15"
- Maximum width: 120"
- Maximum shade length: 144" (limited valance option)

Motorized shade (24 volt DC)

- Radio-controlled style: minimum width 18"
- Maximum width: 134"
- Maximum shade length: 192" (limited valance option)

Manual shade (cordless)

- Minimum width 20"
- Maximum width 84"
- Maximum length 84"



Lithium-Ion solar collector



Planetary worm gear transmission



Standard battery motor



Heavy duty battery motor



Standard 24 volt DC motor



Heavy duty 24 volt DC motor

Hand held remote



Wireless wall switch



3rd party integration components

