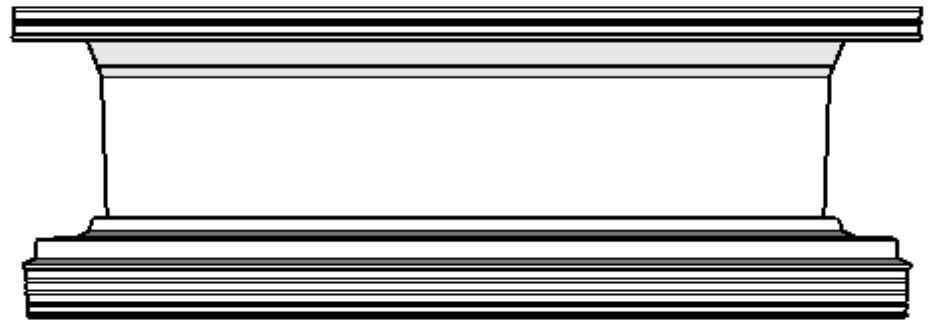
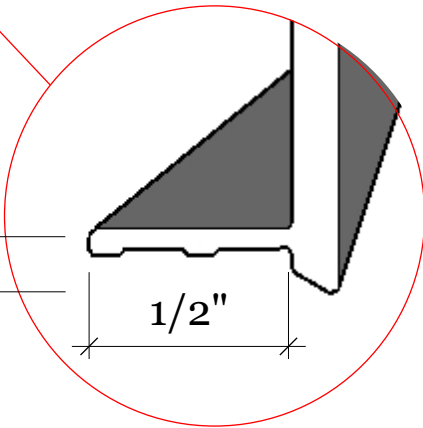
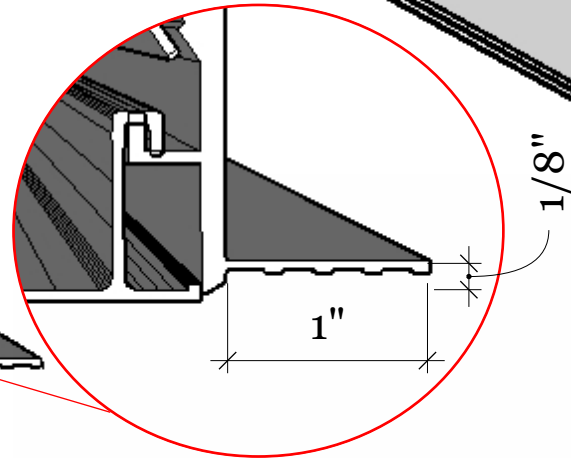
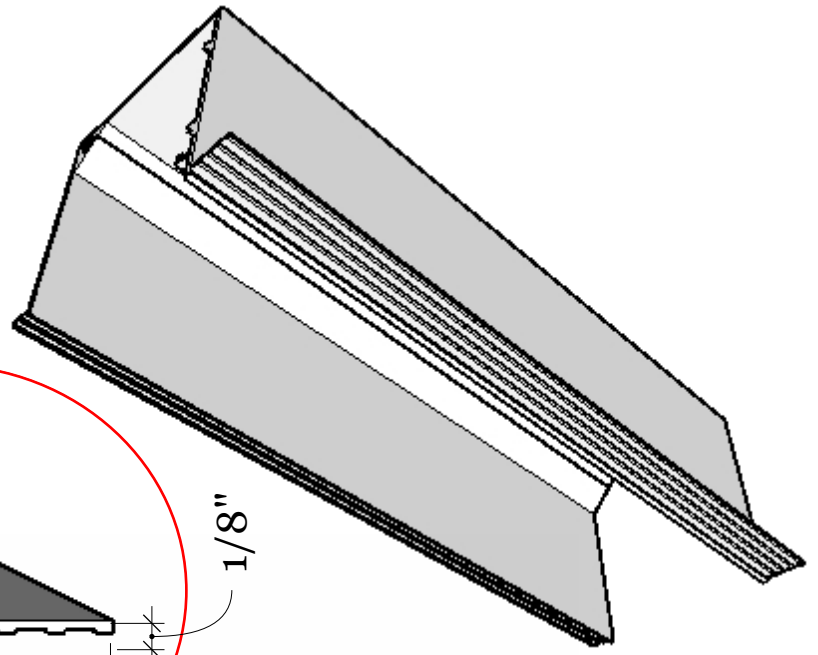
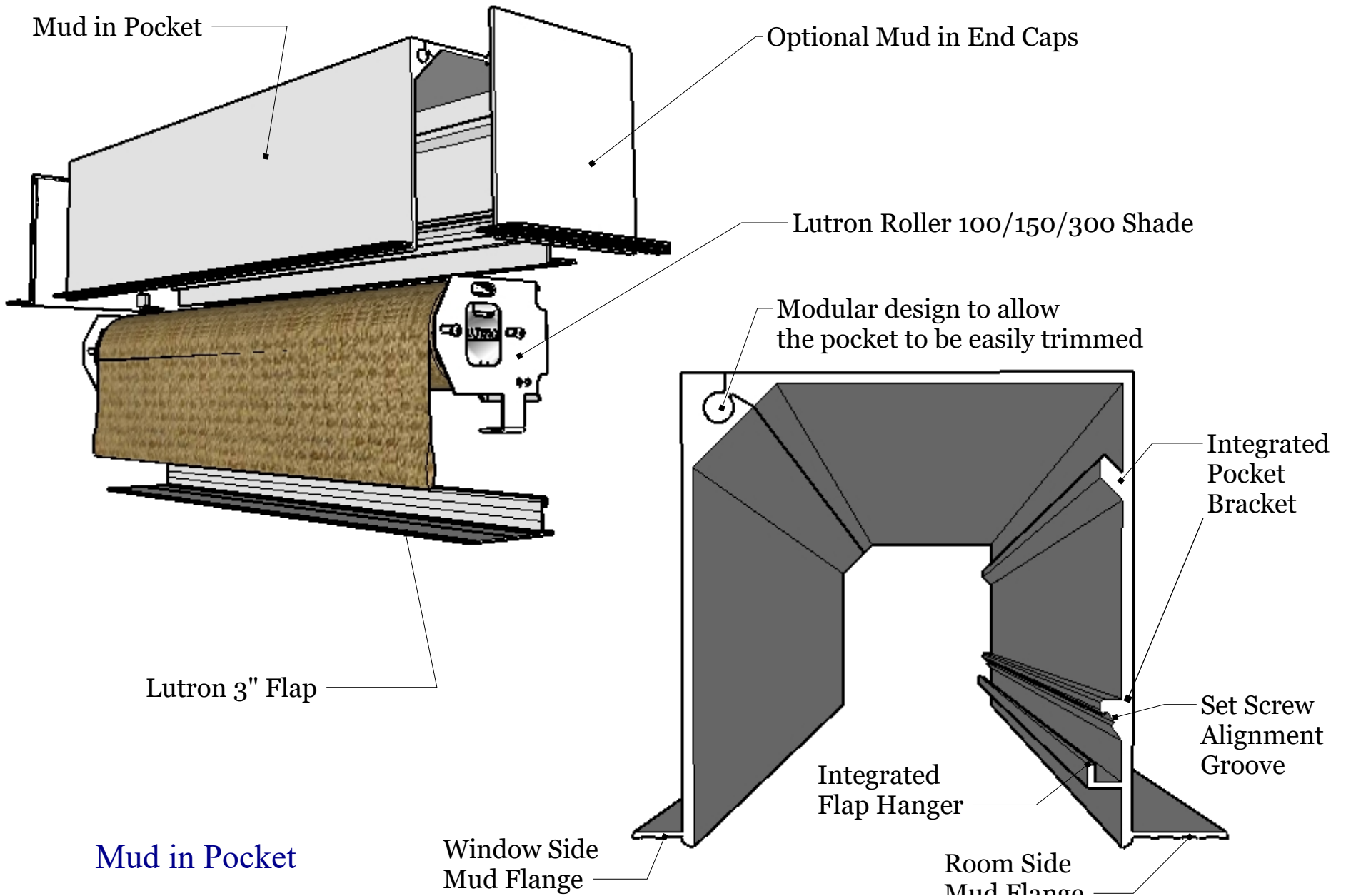


Mud in Pocket



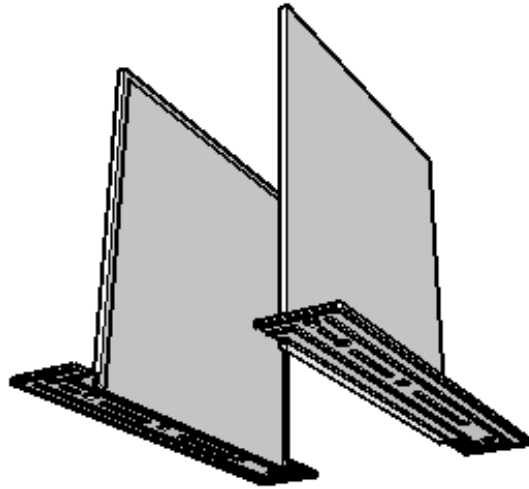
\*Maximum Roll Diameter 3.75"



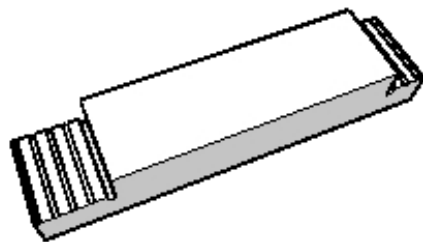
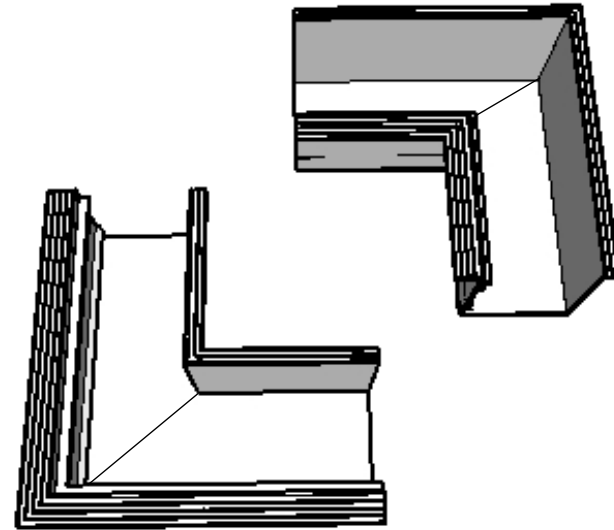


# Optional Accessories

Mud in End Caps

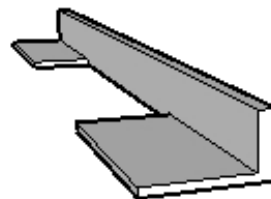


90 Degree Inside and Outside Corners



Spacing Caps

Squares the pocket during assembly



Flap Shims

Fine tunes the flap angle



Drilling Guide

Marks the hole and drill angle for the shade set screw

